

Telescopic slides heavy-duty, full extension, loading up to 200 kg

Item description/product images



Description

Material:

Slides and ball cage steel.

Balls C-steel.

Version:

Slides trivalent blue passivated.

Ball cages electro zinc-plated.

Balls hardened.

Note:

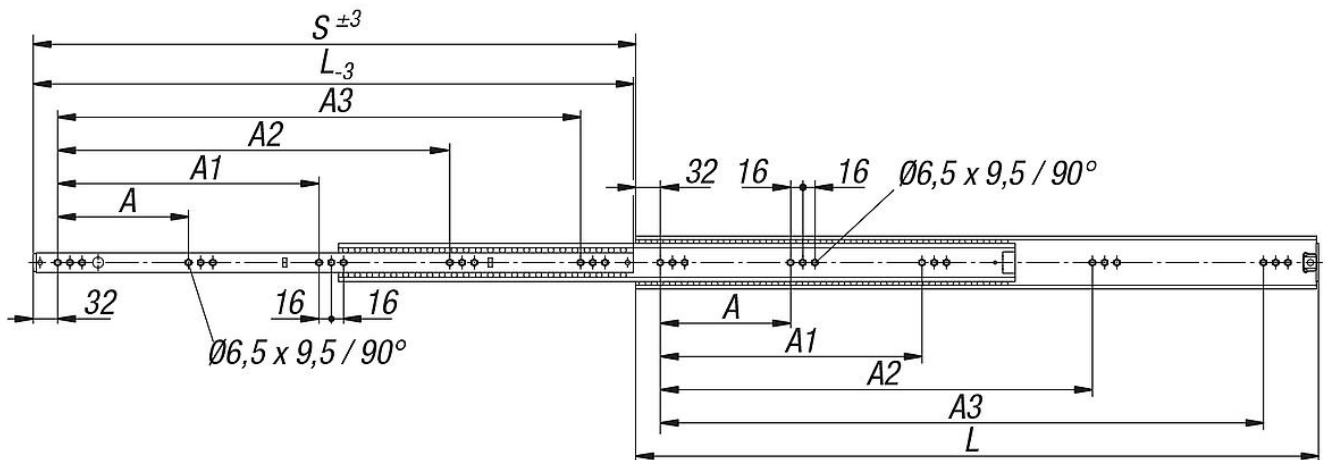
For telescopic slides with full extension, the travel is equal to the overall length, which guarantees more comfort and accessibility. Interlocks in closed position. The dynamic load capacity of the telescopic slides indicates the maximum load rating of a vertically mounted slide pair when the entire extension length is used. The value is lower for horizontal mounting. The specified load-bearing capacities refer to the maximum value at 10,000 or 100,000 cycles.

Note:

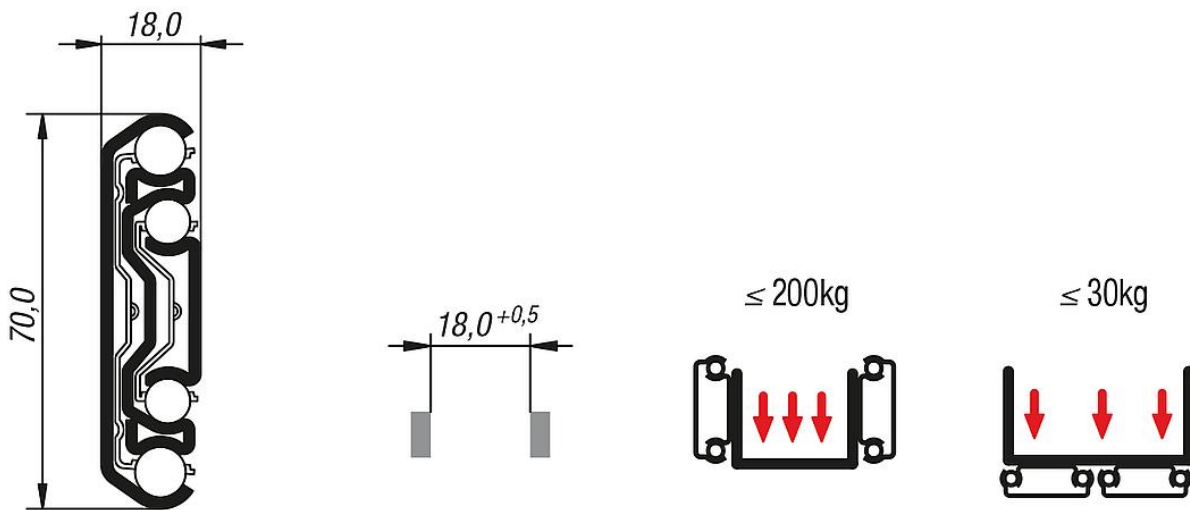
All telescopic rails are tested to DIN EN 15338.

Telescopic slides heavy-duty, full extension, loading up to 200 kg

Drawings



Fastening with M5 counter sunk head screws (head height 2.5 mm) or Euro screws (counter sunk head height 1.5 mm)



Overview of items

Telescopic slides, heavy-duty, full extension, load capacity up to 200 kg

Order No.	A	A1	A2	A3	Travel S	L	Loading pair (10,000 cycles) kg	WLL per pair (100,000 cycles) kg	Loading per pair horizontal kg
K0544.10450	-	-	160	320	450	450	190	115	30
K0544.10700	-	192	384	576	700	700	175	130	30
K0544.10800	-	224	448	672	800	800	145	120	30
K0544.11100	224	448	672	896	1100	1100	105	90	20

Telescopic slides heavy-duty, full extension, loading up to 200 kg

Overview of items

Information about this article

Note: Here are products that will soon be discontinued in our range and are available as inexpensive special offers.

Supplied in pairs