

Toggle clamps vertical heavy-duty with full holding arm

Item description/product images



Description

Material:

Steel.

Version:

Black oxidised.

Hinge pins and hinge bushes case-hardened.

Plastic grip oil-resistant.

Note:

Oil all joints regularly.

Accessory:

K0099

K0102

K0103

K0106

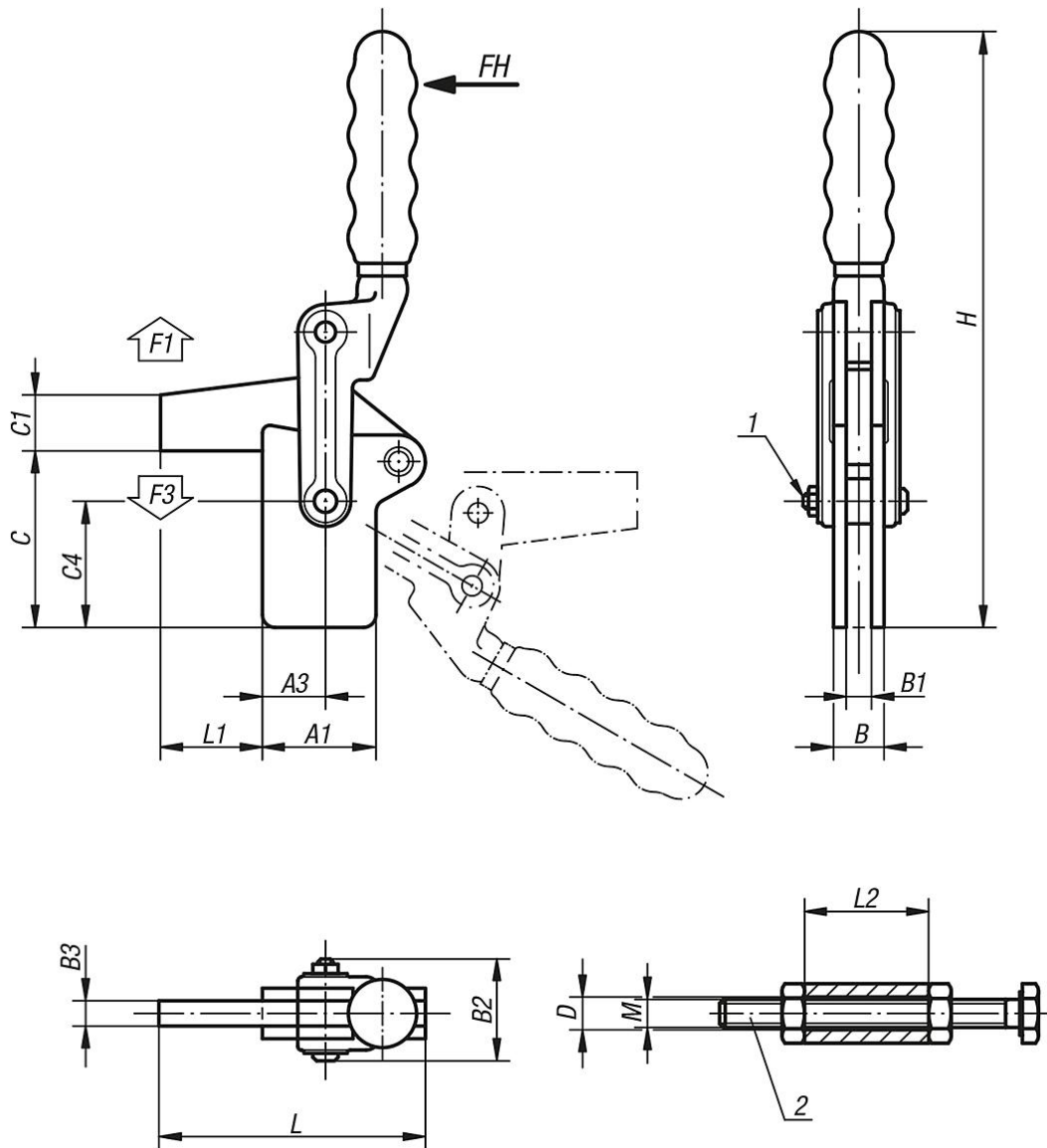
Drawing reference:

1) adjustable clamp arm guide

2) bush with hex head bolt and nuts

Toggle clamps vertical heavy-duty with full holding arm

Drawings



Overview of items

Toggle clamps vertical heavy-duty with full holding arm

Order No.	Opening angle of holding arm	Opening angle of handle	Hand force FH N	Retaining force F1 N	Clamping force F3 N	Matching plastic grip
K0067.0700	205°	130°	340	7000	1400	K0099.28
K0067.1200	195°	130°	500	12000	1400	K0099.30
K0067.2400	195°	130°	500	15000	1850	K0099.33

Order No.	A1	A3	B	B1	B2	B3	C	C1	C4	D	H	L	L1	L2	M
K0067.0700	45	25	20	10	43	10	70	22	50	12,2	235	104	40	30	M12x100
K0067.1200	51	26	24	12	51	12	88	26	63	12,2	276	124	50	30	M12x100
K0067.2400	64	40	32	16	64	16	105	32	76	16,3	318	162	60	38	M16x150

