

Tension levers flat internal thread, stainless steel

Item description/product images



Description

Material:

Steel parts stainless steel 1.4305.

Ball knob black plastic.

Version:

Steel parts bright.

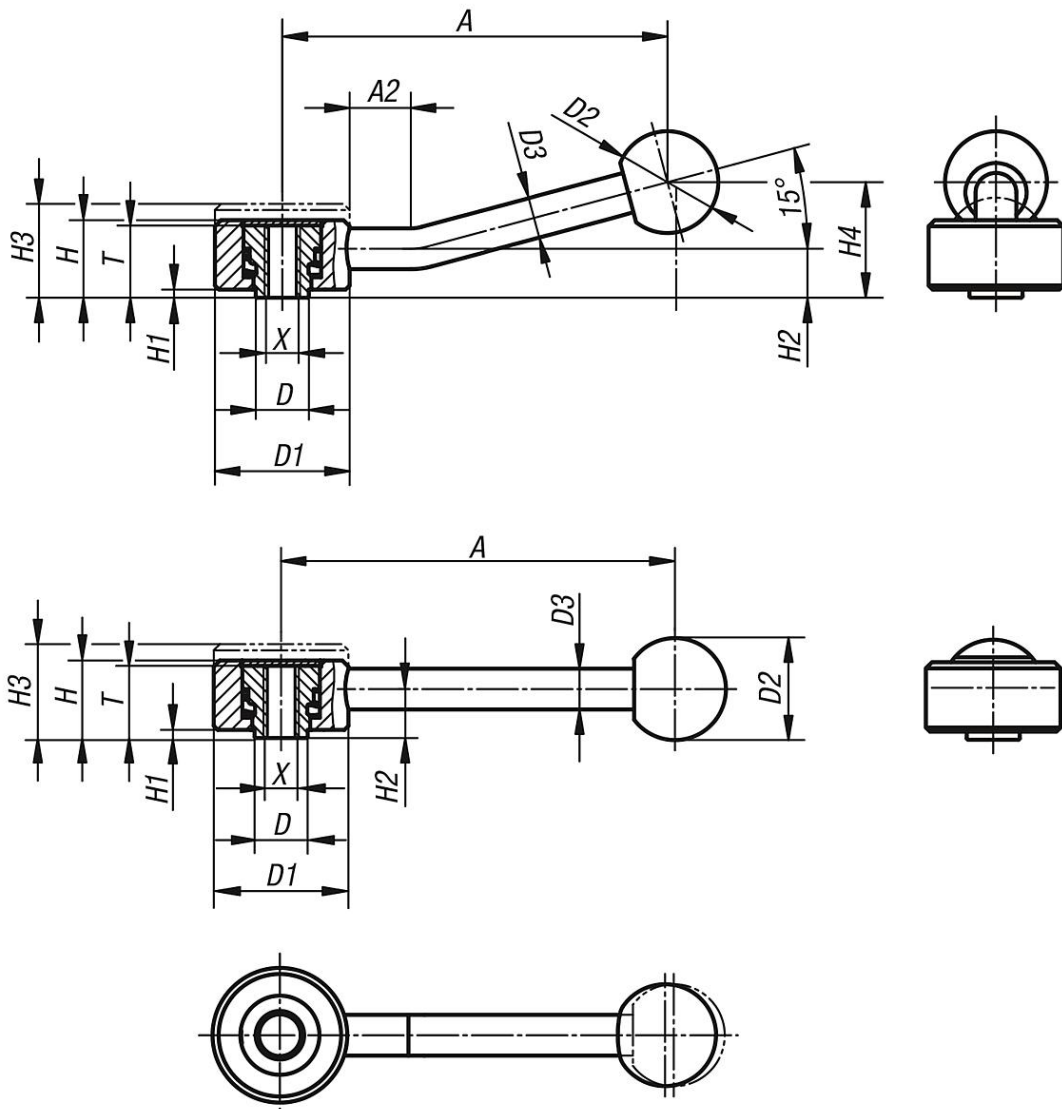
On request:

Other threads and special versions.

Dimensions "H1" and "A" available in other lengths at extra charge.

Tension levers flat internal thread, stainless steel

Drawings



Overview of items

Tension levers, flat, female thread, stainless steel

Order No.	Kind of fastening	Form	X	T	A=Handle length	A2	D	D1	D2	D3	H	H1	H2	H3	H4	No. of teeth
K0129.1081	internal thread	0°	M8	18	102	-	13,5	33	25	10	19	2	12	23	-	26
K0129.2101	internal thread	0°	M10	21	131	-	19	41	30	12	22	2	13,5	26	-	30
K0129.2121	internal thread	0°	M12	21	131	-	19	41	30	12	22	2	13,5	26	-	30
K0129.3161	internal thread	0°	M16	27	148	-	23	45	37	14	28	2	17	33	-	36
K0129.1082	internal thread	15°	M8	18	100	15	13,5	33	25	10	19	2	12	23	29	26
K0129.2102	internal thread	15°	M10	21	127	15	19	41	30	12	22	2	13,5	26	38	30
K0129.2122	internal thread	15°	M12	21	127	15	19	41	30	12	22	2	13,5	26	38	30
K0129.3162	internal thread	15°	M16	27	145	15	23	45	37	14	28	2	17	33	48	36

