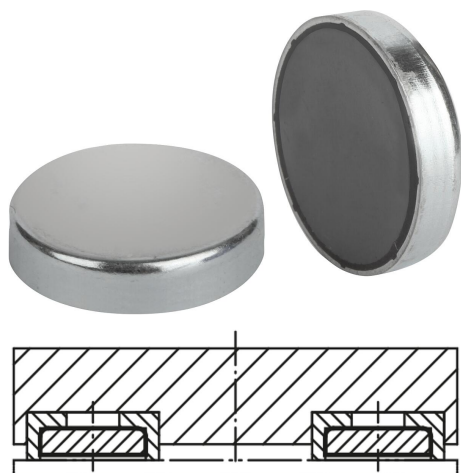


## Magnets shallow pot hard ferrite

### Item description/product images



### Description

#### Material:

Housing, steel.

Magnetic core hard ferrite.

#### Version:

Housing, electro zinc-plated.

#### Note:

Shallow pot magnets without threaded bush. These magnets are pressed or glued into the receiving holes.

Hairline cracks in the magnetic material are unavoidable for technical reasons in the D=80 version. They do not impair the attracting function of the magnets in any way.

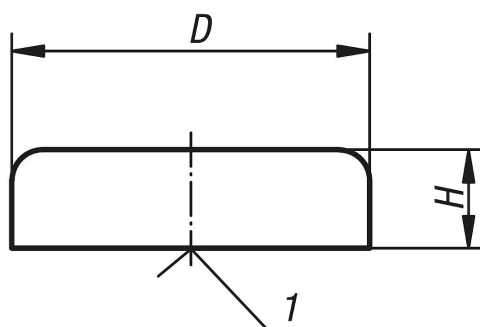
#### Temperature range:

max. 200°C.

#### Drawing reference:

1) magnetic face

### Drawings



### Overview of items

#### Magnets shallow pot hard ferrite

Order No.	D	H	Magnetic force N
K0548.01	10 ±0,15	4,5	4
K0548.02	13 ±0,15	4,5	10
K0548.03	16 ±0,15	4,5	18
K0548.04	20 ±0,15	6	30
K0548.05	25 ±0,15	7	40
K0548.06	32 ±0,20	7	80
K0548.07	40 ±0,20	8	125
K0548.08	50 ±0,20	10	220
K0548.09	63 ±0,20	14	350
K0548.10	80 ±0,25	18	600

