

# Magnets shallow pot with threaded pin NdFeB, with rubber protective jacket

Item description/product images



## Description

### Material:

Housing, steel.

Magnetic core NdFeB (neodym).

Protective rubber jacket, synthetic rubber.

### Version:

Housing, electro zinc-plated.

Black protective rubber jacket.

### Note:

Shallow pot magnets with threaded pin, shielded system. With rubber protective jacket for protecting sensitive surfaces. The coefficient of friction is increased by the rubber jacket, so that high lateral friction is achieved.

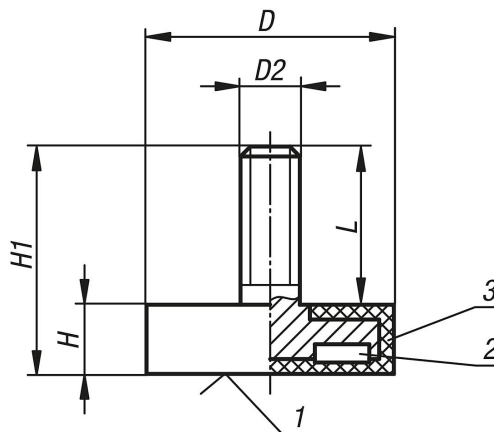
### Temperature range:

max. 60°C.

### Drawing reference:

- 1) magnetic face
- 2) magnet
- 3) rubber

## Drawings



## Overview of items

### Magnets shallow pot with threaded pin NdFeB, with rubber protective jacket

Order No.	D	D2	H	H1	L	Magnetic force N
K0564.05	12	M4	7	15,5	8,5	13
K0564.06	18	M4	6	12	6	37
K0564.01	22	M4	6	12,5	6,5	50
K0564.07	31	M6	6	17	11	89
K0564.02	43	M6	6	21	15	85
K0564.03	66	M8	8,2	23	14,8	180
K0564.04	88	M8	8,2	23,5	15,3	420

# Magnets shallow pot with threaded pin NdFeB, with rubber protective jacket

Overview of items

---