

Toggle clamps push-pull with mounting bracket

Item description/product images



Description

Material:

Steel.

Version:

Trivalent passivated.

Connecting rod, guide body and thrust screw phosphated.

Plastic grip oil-resistant.

Note:

As the push-pull toggle clamps lock in open and closed handle positions, they can be used to clamp when pushing or pulling.

The fastening nut supplied allows the clamps to be mounted in any desired position.

Accessory:

K0100

K0101

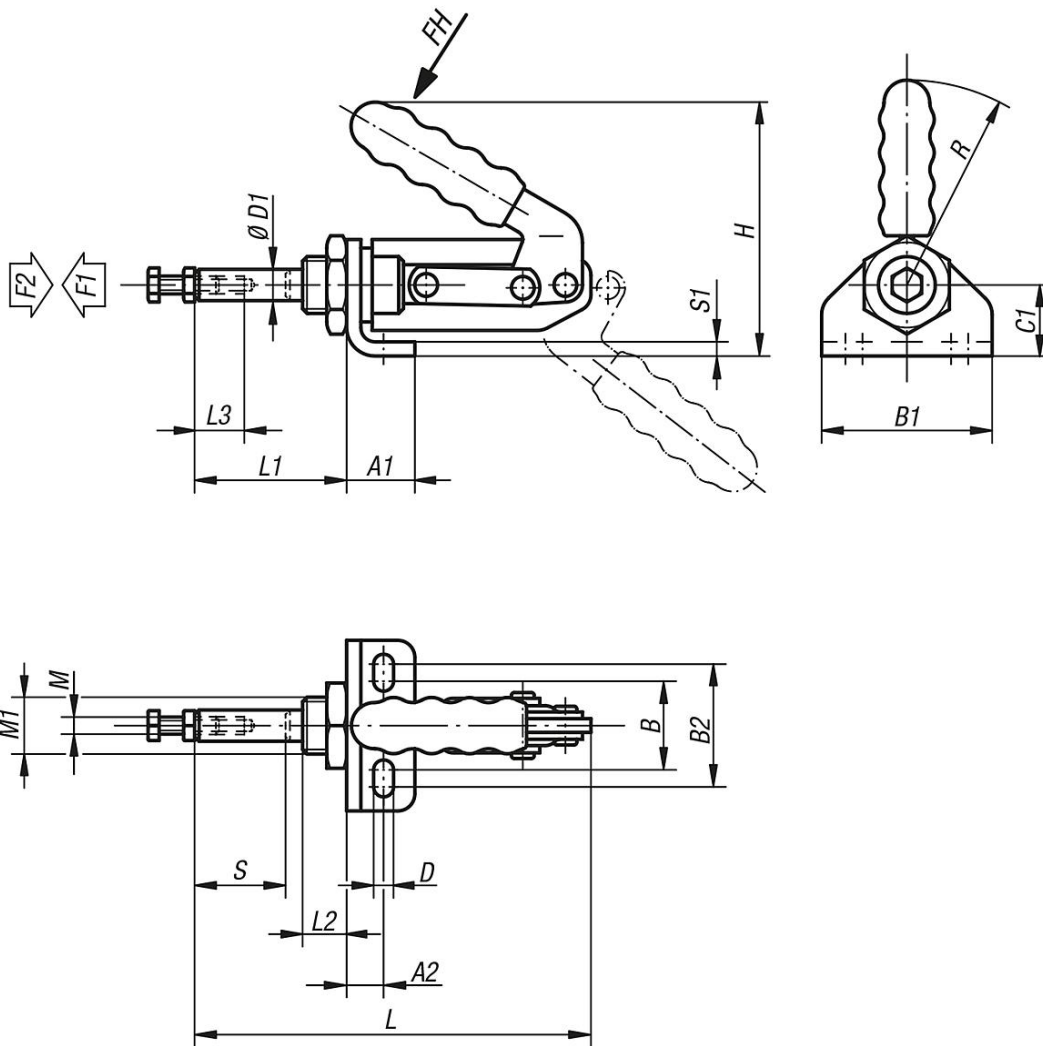
K0102

K0103

K0106

Toggle clamps push-pull with mounting bracket

Drawings



Overview of items

Toggle clamps push-pull with mounting bracket

Order No.	Opening angle of handle	Hand force FH N	Retaining force F2 N	Clamping force F1 N	Matching plastic grip
K0084.0250	190°	170	2500	1500	K0100.23
K0084.0450	185°	180	4000	2000	K0100.30

Order No.	A1	A2	B	B1	B2	C1	D	D1	H	L	L1	L2	L3	M	M1	R	S1	Travel S
K0084.0250	23	13	30	57,5	42	25	6,5	11,1	85	136	52,5	14	12	M6x25	M20x1,5	60	4	32
K0084.0450	30	18	30	64	45	30	8,5	16	120	173	60	17	20	M10x50	M24x1,5	90	5	38