

Mounting bracket aluminium Form B

Item description/product images



Description

Material:

Aluminium 3.2163.

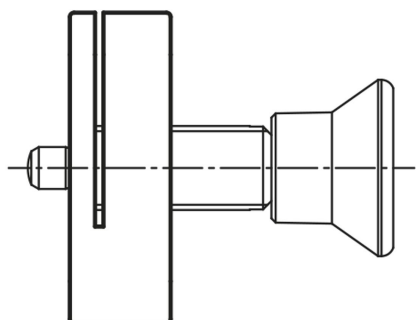
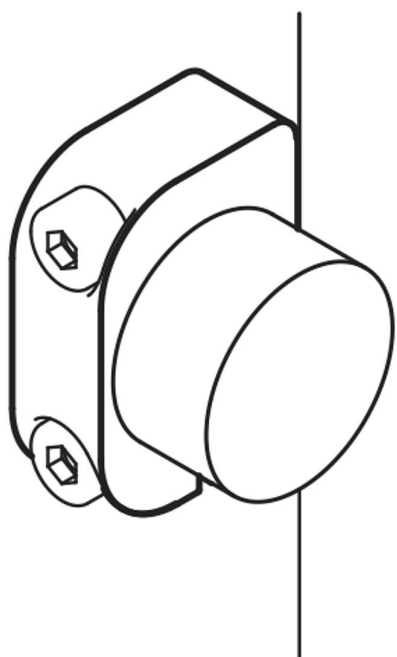
Version:

Black.

Note:

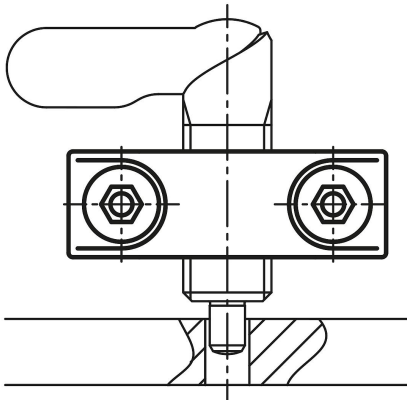
These mounting brackets are an assembly aid for cam-action and other indexing plungers and expand the application field. They can also be used with other elements that have a suitable thread.

Fastened using DIN 912 / ISO 4762 cap screws.

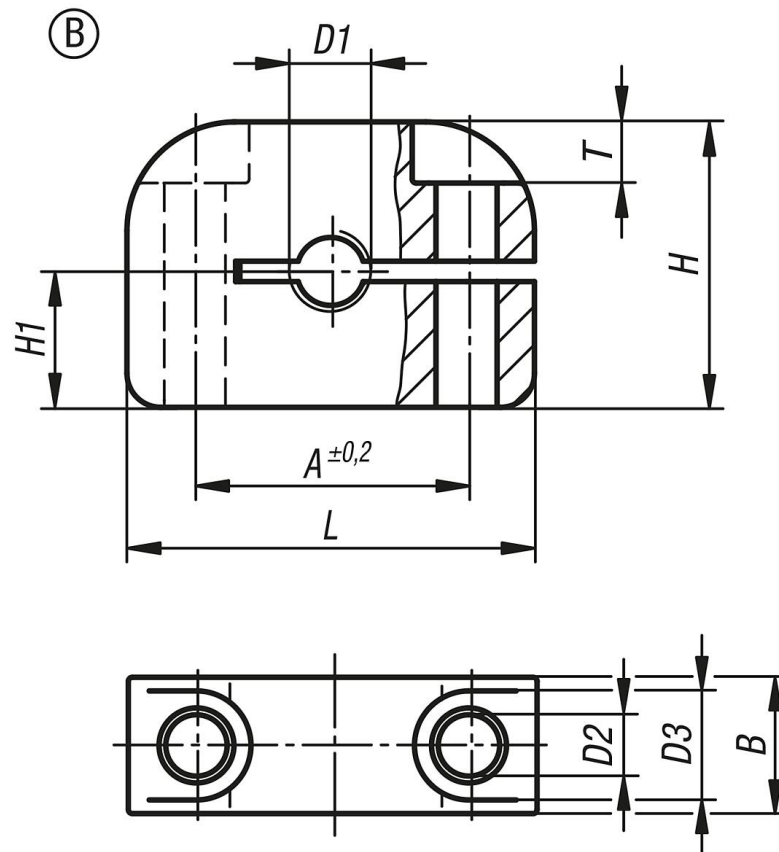


Mounting bracket aluminium Form B

Item description/product images



Drawings



Overview of items

Order No.	Form	D1	D2	D3	A	B	H	H1	L	T
K0638.406	B	M6	4,5	8	20	10	21	10	30	4,5
K0638.4061	B	M6x0,75	4,5	8	20	10	21	10	30	4,5
K0638.408	B	M8	4,5	8	20	10	21	10	30	4,5
K0638.4081	B	M8x1	4,5	8	20	10	21	10	30	4,5
K0638.410	B	M10	5,5	10	24	12	26	13	36	5,5
K0638.4101	B	M10x1	5,5	10	24	12	26	13	36	5,5
K0638.412	B	M12	5,5	10	24	12	26	13	36	5,5

Mounting bracket aluminium Form B

Overview of items

Order No.	Form	D1	D2	D3	A	B	H	H1	L	T
K0638.4121	B	M12x1,5	5,5	10	24	12	26	13	36	5,5
K0638.416	B	M16	5,5	10	32	15	29	17	46	5,5
K0638.4161	B	M16x1,5	5,5	10	32	15	29	17	46	5,5
K0638.420	B	M20	5,5	10	32	15	29	17	46	5,5
K0638.4201	B	M20x1,5	5,5	10	32	15	29	17	46	5,5