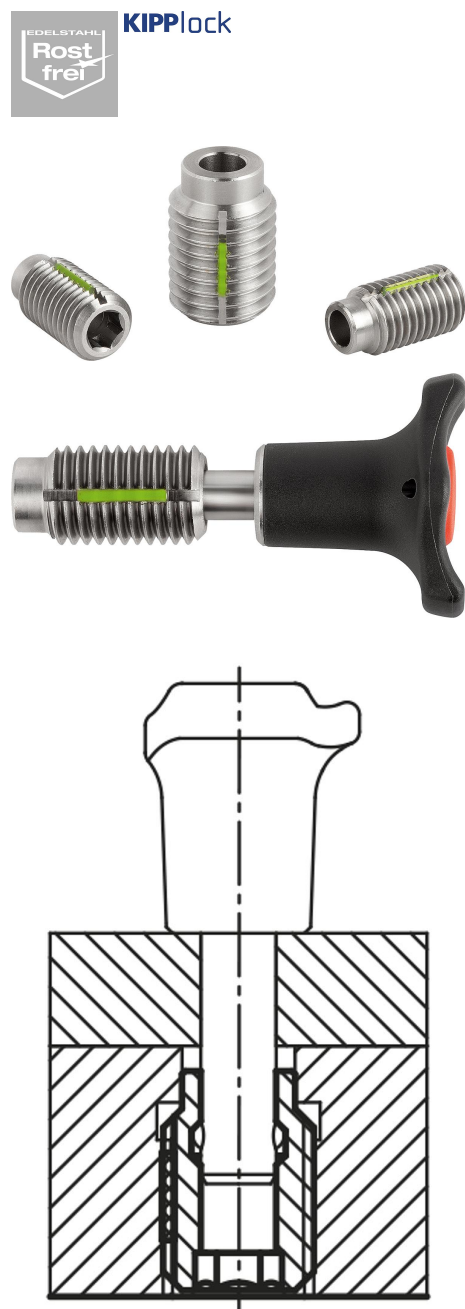


## Locating bushes for ball lock pins, with thread lock

### Item description/product images



### Description

**Material:**

Stainless steel 1.4305.

Thread lock nylon.

**Version:**

Steel parts bright.

**Note:**

These bushes are ideal for easy and quick positioning of ball lock pins and locking pins.

**Advantages:**

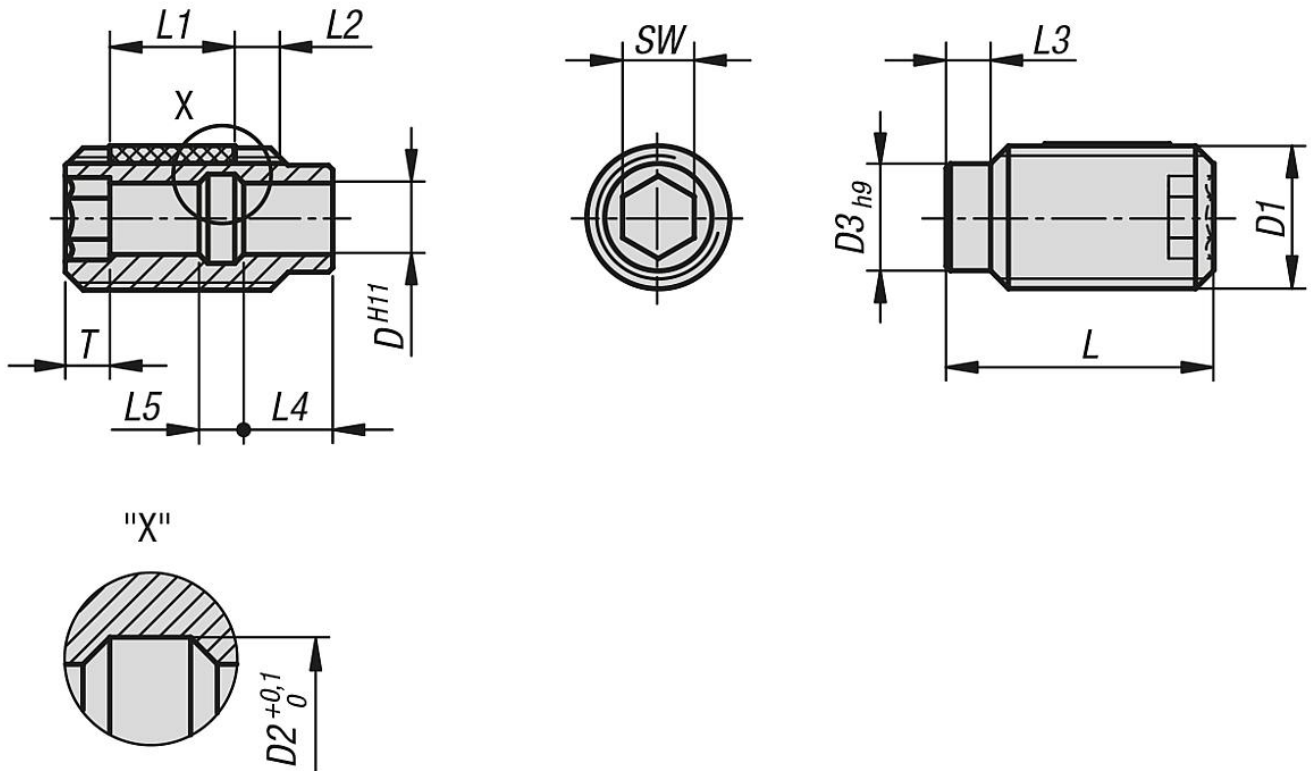
- The locating bush is centred by the centring collar.
- Easy and reliable screwing in.
- Can be screwed into various materials.
- Usable on both sides.
- The thread lock enables the installation depth to be matched exactly to the existing components, so no hammering is necessary.

**Drawing reference:**

L2 = approx. 2x thread pitch

# Locating bushes for ball lock pins, with thread lock

## Drawings



## Overview of items

### Locating bushes for ball lock pins, with thread lock

Order No.	D	D1	D2	D3	L	L1	L3	L4	L5	SW	T
K0724.105121	5	M12	6	9	25	10	4	7	3	5	4
K0724.106161	6	M16	7,5	12	30	14	5	10	5	6	5
K0724.108161	8	M16	10	12	30	14	5	10	5	8	5
K0724.110241	10	M24	13	18	35	14	6	8	7	10	6
K0724.112241	12	M24	15	18	35	14	6	8	7	12	6
K0724.116301	16	M30	20	24	40	14	8	11	9	16	7