

Knurled screws high form steel and stainless steel, DIN 464

Item description/product images



Description

Material:

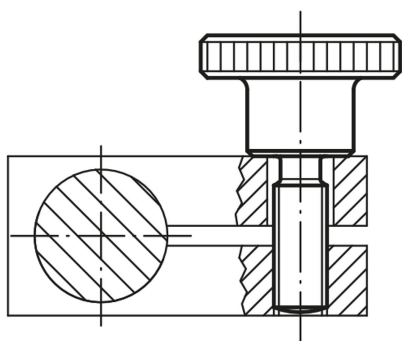
Steel.
Stainless steel 1.4305.

Version:

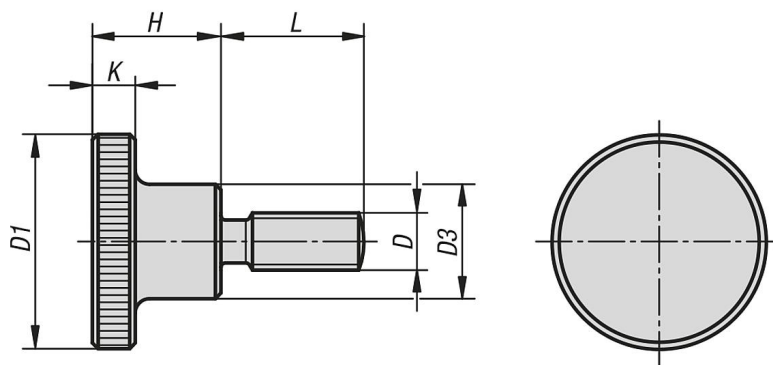
Steel, black oxidised.
Stainless steel, bright.

Note:

* Threads with these lengths have no undercut at the shoulder.



Drawings



Overview of items

Knurled screws high, steel and stainless steel, DIN 464

Order No.	Main material	D	D1	D3	H	K	L
K0140.04X10	steel	M4	16	8	9,5	3,5	10
K0140.04X16	steel	M4	16	8	9,5	3,5	16
K0140.04X20	steel	M4	16	8	9,5	3,5	20*
K0140.05X10	steel	M5	20	10	11,5	4	10
K0140.05X16	steel	M5	20	10	11,5	4	16

Knurled screws high form steel and stainless steel, DIN 464

Overview of items

Order No.	Main material	D	D1	D3	H	K	L
K0140.05X20	steel	M5	20	10	11,5	4	20*
K0140.06X10	steel	M6	24	12	15	5	10
K0140.06X16	steel	M6	24	12	15	5	16
K0140.06X20	steel	M6	24	12	15	5	20
K0140.06X25	steel	M6	24	12	15	5	25*
K0140.08X16	steel	M8	30	16	18	6	16
K0140.08X20	steel	M8	30	16	18	6	20
K0140.08X25	steel	M8	30	16	18	6	25
K0140.08X30	steel	M8	30	16	18	6	30*
K0140.10X20	steel	M10	36	20	23	8	20
K0140.10X25	steel	M10	36	20	23	8	25
K0140.10X30	steel	M10	36	20	23	8	30
K0140.10X40	steel	M10	36	20	23	8	40*
K0140.042X10	stainless steel	M4	16	8	9,5	3,5	10
K0140.042X16	stainless steel	M4	16	8	9,5	3,5	16
K0140.042X20	stainless steel	M4	16	8	9,5	3,5	20*
K0140.052X10	stainless steel	M5	20	10	11,5	4	10
K0140.052X16	stainless steel	M5	20	10	11,5	4	16
K0140.052X20	stainless steel	M5	20	10	11,5	4	20*
K0140.062X10	stainless steel	M6	24	12	15	5	10
K0140.062X16	stainless steel	M6	24	12	15	5	16
K0140.062X20	stainless steel	M6	24	12	15	5	20
K0140.062X25	stainless steel	M6	24	12	15	5	25*
K0140.082X16	stainless steel	M8	30	16	18	6	16
K0140.082X20	stainless steel	M8	30	16	18	6	20
K0140.082X25	stainless steel	M8	30	16	18	6	25
K0140.082X30	stainless steel	M8	30	16	18	6	30*
K0140.102X20	stainless steel	M10	36	20	23	8	20
K0140.102X25	stainless steel	M10	36	20	23	8	25
K0140.102X30	stainless steel	M10	36	20	23	8	30
K0140.102X40	stainless steel	M10	36	20	23	8	40*