

Palm grips similar to DIN 6335, aluminium, Form B, drilled through

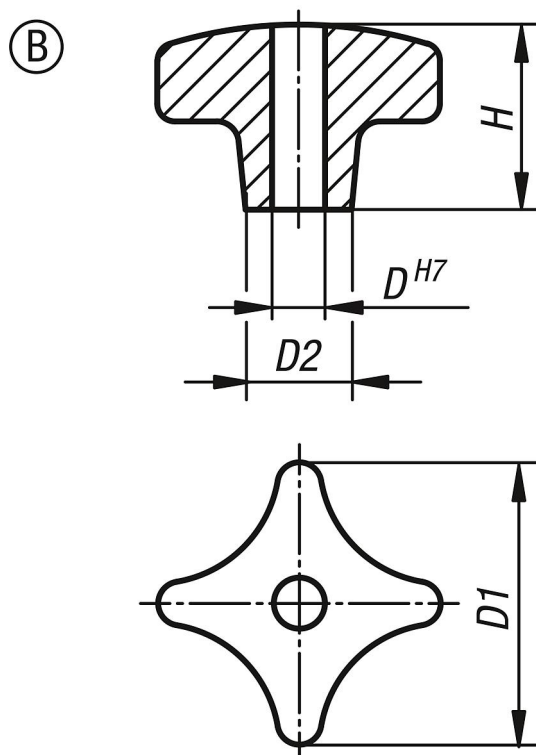
Item description/product images

Description

Material:
Aluminium.

Version:
Tumbled or ground and polished.

Drawings



Overview of items

Order No.	Form	Finish	D1	D	D2	H
K0145.2080162	B	polished	80	16	25	50
K0145.2040082	B	polished	40	8	14	25
K0145.2050102	B	polished	50	10	18	32
K0145.2063122	B	polished	63	12	25	40
K0145.205010	B	tumbled	50	10	18	32
K0145.206312	B	tumbled	63	12	25	40
K0145.204008	B	tumbled	40	8	14	25
K0145.208016	B	tumbled	80	16	25	50