

Star grips similar to DIN 6336, aluminium, Form B, drilled through

Item description/product images

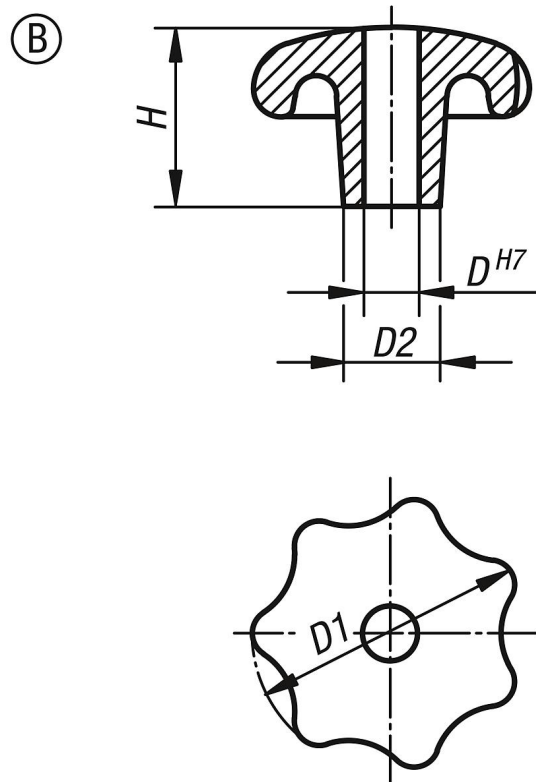


Description

Material:
Aluminium.

Version:
Tumbled or ground and polished.

Drawings



Overview of items

| Order No. | Form | Surface finish body | D | D1 | D2 | H |
|--------------|------|---------------------|----|----|----|----|
| K0149.240082 | B | polished | 8 | 40 | 14 | 25 |
| K0149.250102 | B | polished | 10 | 50 | 18 | 32 |
| K0149.263122 | B | polished | 12 | 63 | 20 | 40 |
| K0149.280162 | B | polished | 16 | 80 | 25 | 50 |
| K0149.24008 | B | tumbled | 8 | 40 | 14 | 25 |
| K0149.25010 | B | tumbled | 10 | 50 | 18 | 32 |
| K0149.26312 | B | tumbled | 12 | 63 | 20 | 40 |
| K0149.28016 | B | tumbled | 16 | 80 | 25 | 50 |