

## Clamping levers, plastic, ergonomic, with external thread, threaded pin stainless steel

Item description/product images



lift to  
disengage



### Description

#### Material:

Handle:

Hard components reinforced plastic, toothed ring die-cast zinc.

Soft components thermoplastic elastomer.

Steel parts:

Stainless steel, 1.4305.

#### Version:

Steel parts bright.

#### Note:

The colour combinations

graphite black RAL 9011 (hard components) and

black grey RAL 7021 (soft components) are supplied as standard.

The soft components ensure a non-slip grip of the operating part. The closed design offers sufficient protection against dirt. The design was especially developed for ergonomic gripping requirements.

The push button improves disengagement and allows the handle to be easily used.

Where  $L \geq 60$  mm the thread length is 60 mm.

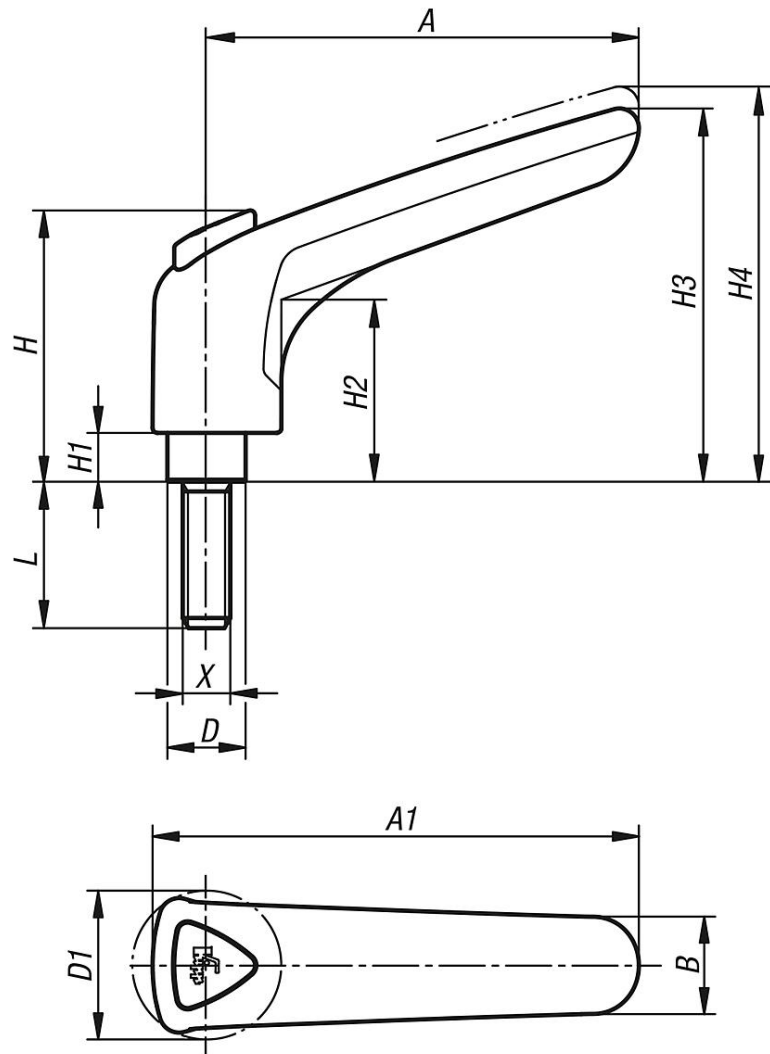
#### On request:

Other male threads, screw lengths, colour combinations and special versions.

Dimension "H1" available in other lengths on request at extra charge.

# Clamping levers, plastic, ergonomic, with external thread, threaded pin stainless steel

Drawings



## Overview of items

Order No.	X	D	D1	H	H1	H2	H3	H4	A	A1	B	No. of teeth	L
K0982.3081X20	M8	16	30,5	55,6	10	37,3	76,5	81	88,5	99,5	20	22	20
K0982.3081X25	M8	16	30,5	55,6	10	37,3	76,5	81	88,5	99,5	20	22	25
K0982.3081X30	M8	16	30,5	55,6	10	37,3	76,5	81	88,5	99,5	20	22	30
K0982.3081X40	M8	16	30,5	55,6	10	37,3	76,5	81	88,5	99,5	20	22	40
K0982.3081X50	M8	16	30,5	55,6	10	37,3	76,5	81	88,5	99,5	20	22	50
K0982.3081X60	M8	16	30,5	55,6	10	37,3	76,5	81	88,5	99,5	20	22	60
K0982.3101X20	M10	16	30,5	55,6	10	37,3	76,5	81	88,5	99,5	20	22	20
K0982.3101X25	M10	16	30,5	55,6	10	37,3	76,5	81	88,5	99,5	20	22	25
K0982.3101X30	M10	16	30,5	55,6	10	37,3	76,5	81	88,5	99,5	20	22	30
K0982.3101X40	M10	16	30,5	55,6	10	37,3	76,5	81	88,5	99,5	20	22	40
K0982.3101X50	M10	16	30,5	55,6	10	37,3	76,5	81	88,5	99,5	20	22	50
K0982.3101X60	M10	16	30,5	55,6	10	37,3	76,5	81	88,5	99,5	20	22	60

**Clamping levers, plastic, ergonomic, with external thread, threaded pin  
stainless steel**

Overview of items

---

