

# Handwheels disc similar to DIN 950, aluminium

## Item description/product images



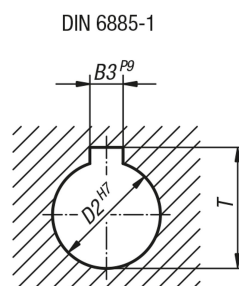
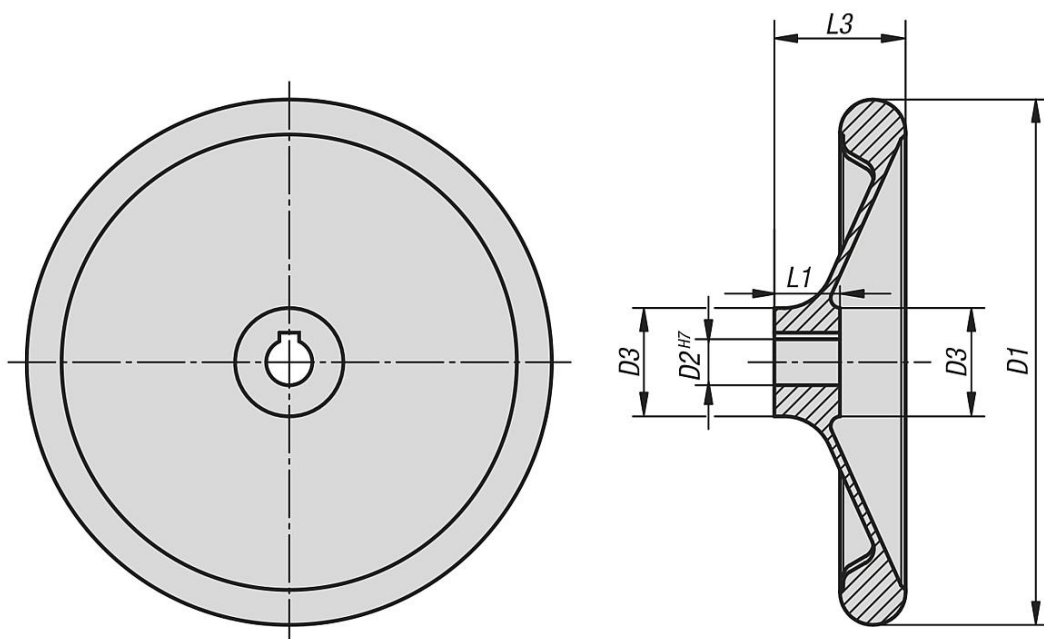
### Description

**Material:**  
Handwheel aluminium.

**Version:**  
Wheel rim turned and polished.

**On request:**  
Hubs with square socket or powder-coated handwheels.

## Drawings



## Overview of items

### Handwheels disc, similar to DIN 950, aluminium

Order No.	Version 1	D1	D2	D3	L1	L3	B3	T
K0163.0080X10	reamed hole	80	10H7	25	16	30	-	-
K0163.0080X12	reamed hole	80	12H7	25	16	30	-	-
K0163.0100X10	reamed hole	100	10H7	28	17	31	-	-
K0163.0100X12	reamed hole	100	12H7	28	17	31	-	-

## Handwheels disc similar to DIN 950, aluminium

### Overview of items

Order No.	Version 1	D1	D2	D3	L1	L3	B3	T
K0163.0120X12	reamed hole	120	12H7	27	18	30	-	-
K0163.0120X14	reamed hole	120	14H7	27	18	30	-	-
K0163.0160X14	reamed hole	160	14H7	34	20	40	-	-
K0163.0160X16	reamed hole	160	16H7	34	20	40	-	-
K0163.0200X18	reamed hole	200	18H7	40	24	44	-	-
K0163.0200X22	reamed hole	200	22H7	40	24	44	-	-
K0163.0250X22	reamed hole	250	22H7	49	28	61	-	-
K0163.0250X26	reamed hole	250	26H7	49	28	61	-	-
K0163.0280X24	reamed hole	280	24H7	51	30	38	-	-
K0163.0280X28	reamed hole	280	28H7	51	30	38	-	-
K0163.0360X28	reamed hole	360	28H7	63	35	73	-	-
K0163.0360X32	reamed hole	360	32H7	63	35	73	-	-
K0163.1080X10	reamed hole with slot	80	10H7	25	16	30	3	11,4
K0163.1080X12	reamed hole with slot	80	12H7	25	16	30	4	13,8
K0163.1100X10	reamed hole with slot	100	10H7	28	17	31	3	11,4
K0163.1100X12	reamed hole with slot	100	12H7	28	17	31	4	13,8
K0163.1120X12	reamed hole with slot	120	12H7	27	18	30	4	13,8
K0163.1120X14	reamed hole with slot	120	14H7	27	18	30	5	16,3
K0163.1160X14	reamed hole with slot	160	14H7	34	20	40	5	16,3
K0163.1160X16	reamed hole with slot	160	16H7	34	20	40	5	18,3
K0163.1200X18	reamed hole with slot	200	18H7	40	24	44	6	20,8
K0163.1200X22	reamed hole with slot	200	22H7	40	24	44	6	24,8
K0163.1250X22	reamed hole with slot	250	22H7	49	28	61	6	24,8
K0163.1250X26	reamed hole with slot	250	26H7	49	28	61	8	29,3
K0163.1280X24	reamed hole with slot	280	24H7	51	30	38	8	27,3
K0163.1280X28	reamed hole with slot	280	28H7	51	30	38	8	31,3
K0163.1360X28	reamed hole with slot	360	28H7	63	35	73	8	31,3
K0163.1360X32	reamed hole with slot	360	32H7	63	35	73	10	35,3