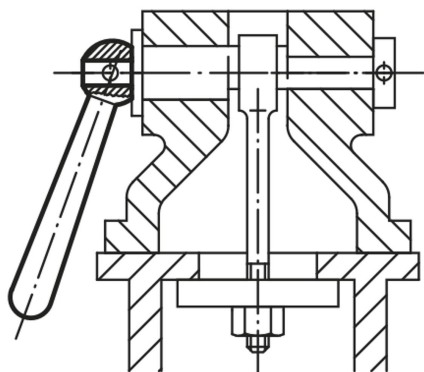


## Levers DIN 99

### Item description/product images



### Description

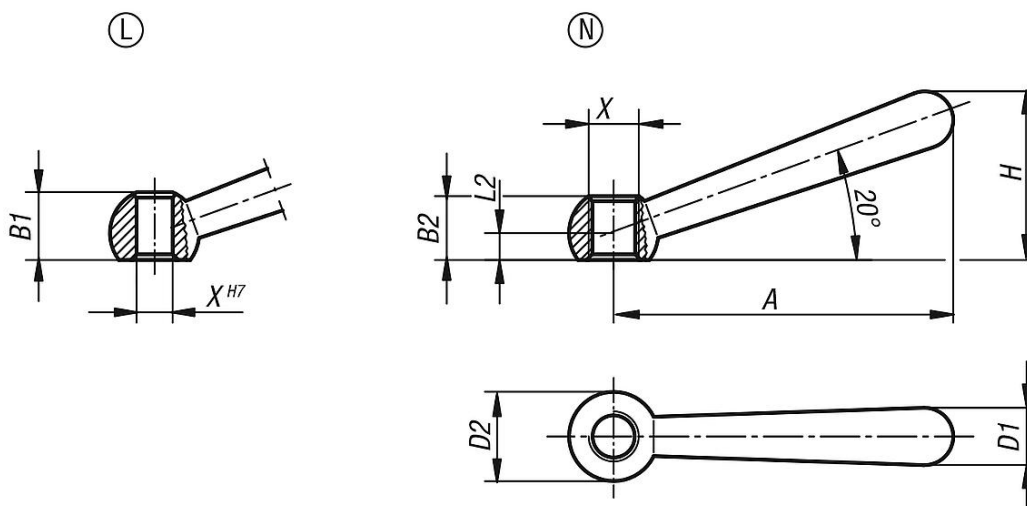
**Material:**  
Steel.

**Version:**  
Polished.

**Note:**  
To fix the lever to another element, gluing is often more cost-effective than pinning.

**Drawing reference:**  
Form L: with hole  
Form N: with female thread

### Drawings



### Overview of items

#### Levers DIN 99

Order No.	Form	X	A=Handle length	B1	B2	D1	D2 ball	H	L2
K0174.106	L	6	48	9,5	-	8	12	24	4
K0174.108	L	8	60	12	-	10	16	30,5	5
K0174.110	L	10	76	14,5	-	13	20	38	6
K0174.112	L	12	95	18,5	-	16	25	47	7,5
K0174.116	L	16	119	24	-	20	32	59,5	10
K0174.120	L	20	152	30	-	25	40	75,5	12,5
K0174.206	N	M6	48	-	9,5	8	12	24	4
K0174.208	N	M8	60	-	12	10	16	30,5	5
K0174.210	N	M10	76	-	14,5	13	20	38	6
K0174.212	N	M12	95	-	18,5	16	25	47	7,5
K0174.216	N	M16	119	-	24	20	32	59,5	10
K0174.220	N	M20	152	-	30	25	40	75,5	12,5

