

Recessed handles, aluminium, fold-down, mounted via rubber profile

Item description/product images

19"



Description

Material:

Tray and folding handle in aluminium profile, end caps polyamide; form A: mounting by rubber insert

Version:

Tray and grip glass-bead blasted, satin finish and anodised black or natural colour. Rubber profile black.

Fastening screws electro zinc-plated.

Note:

Profile Folding Handles form A can be fitted without screw mounting with 2 soft plastic profiles with sheet strengths of 1-2.5 mm.

Two cross-slots for M4 screws allow earth/ground connection and can serve as a mounting aid for additional add-on parts.

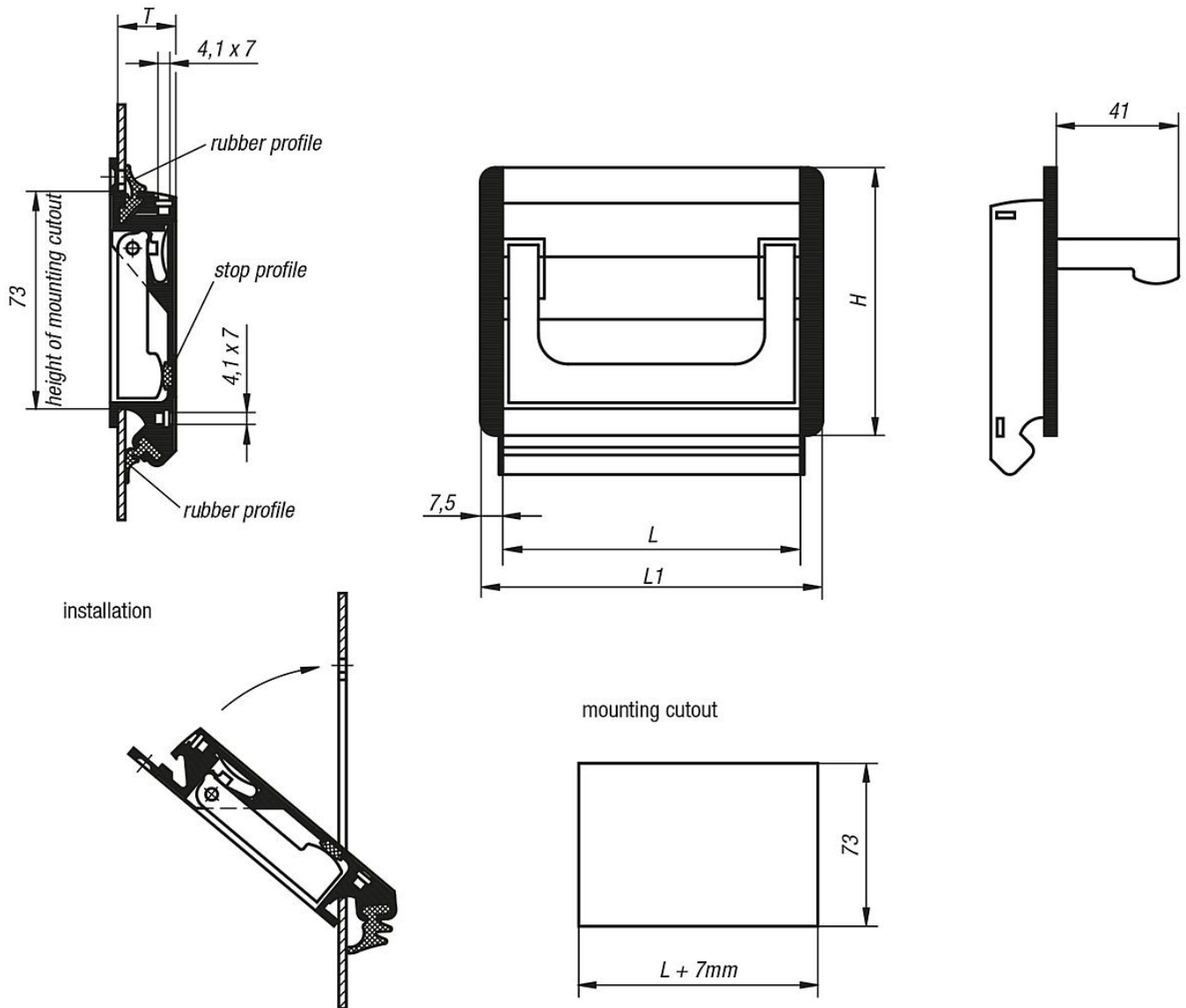
Assembly:

After fitting the lower rubber profile, press the two side caps onto the handle. Next press the handle over the lower edge of the mounting cutout at a 45° angle and then push it up against the housing panel.

Now push the 2nd rubber profile into the upper groove or fix in place with 2 countersunk screws.

Recessed handles, aluminium, fold-down, mounted via rubber profile

Drawings



Overview of items

Profile Folding Handles

| Order No. | Main colour | Form | Version 2 | H | L | L1 | T | Mounting cutout | Load capacity N |
|-------------|-------------|------|-----------|----|-----|-----|------|-----------------|-----------------|
| K0239.10011 | black | A | plug-in | 90 | 100 | 115 | 19,5 | 107 x 73 | 500 |
| K0239.11811 | black | A | plug-in | 90 | 118 | 133 | 19,5 | 125 x 73 | 500 |
| K0239.16711 | black | A | plug-in | 90 | 167 | 182 | 19,5 | 174 x 73 | 500 |
| K0239.10013 | natural | A | plug-in | 90 | 100 | 115 | 19,5 | 107 x 73 | 500 |
| K0239.11813 | natural | A | plug-in | 90 | 118 | 133 | 19,5 | 125 x 73 | 500 |
| K0239.16713 | natural | A | plug-in | 90 | 167 | 182 | 19,5 | 174 x 73 | 500 |

