

## Mushroom knobs internal thread

### Item description/product images



### Description

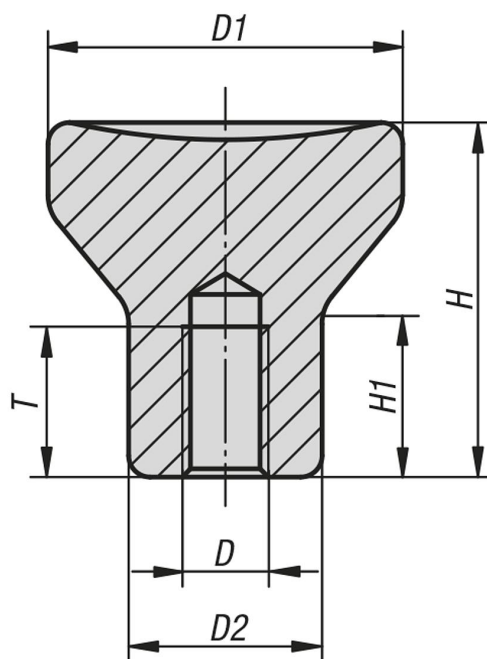
#### Material:

Steel, 1.4305 stainless steel, 1.4404 stainless steel or aluminium.

#### On request:

With external threads.

### Drawings



### Overview of items

#### Mushroom knobs with internal thread

Order No.	Main material	Steel code	Surface finish body	D	D1	D2	H	H1	T
K0250.0902	steel	-	blue-passivated	M2	14	8	14	6,7	4
K0250.0003	steel	-	blue-passivated	M3	18	10	18	8,6	7,5
K0250.0104	steel	-	blue-passivated	M4	21	12	21	10	10
K0250.0105	steel	-	blue-passivated	M5	21	12	21	10	12,5
K0250.0206	steel	-	blue-passivated	M6	25	14	25	12	12
K0250.0308	steel	-	blue-passivated	M8	33	18	33	16	16
K0250.0410	steel	-	blue-passivated	M10	40	24	40	18,7	20
K0250.902	stainless steel	1.4305	-	M2	14	8	14	6,7	4
K0250.003	stainless steel	1.4305	-	M3	18	10	18	8,6	7,5
K0250.104	stainless steel	1.4305	-	M4	21	12	21	10	10
K0250.105	stainless steel	1.4305	-	M5	21	12	21	10	12,5
K0250.206	stainless steel	1.4305	fine turned	M6	25	14	25	12	12
K0250.308	stainless steel	1.4305	fine turned	M8	33	18	33	16	16
K0250.410	stainless steel	1.4305	fine turned	M10	40	24	40	18,7	20
K0250.2902	stainless steel	1.4305	blasted	M2	14	8	14	6,7	4
K0250.2003	stainless steel	1.4305	blasted	M3	18	10	18	8,6	7,5
K0250.2104	stainless steel	1.4305	blasted	M4	21	12	21	10	10
K0250.2105	stainless steel	1.4305	blasted	M5	21	12	21	10	12,5

## Mushroom knobs internal thread

### Overview of items

Order No.	Main material	Steel code	Surface finish body	D	D1	D2	H	H1	T
K0250.2206	stainless steel	1.4305	blasted	M6	25	14	25	12	12
K0250.2308	stainless steel	1.4305	blasted	M8	33	18	33	16	16
K0250.2410	stainless steel	1.4305	blasted	M10	40	24	40	18,7	20
K0250.3902	stainless steel	1.4404	fine turned	M2	14	8	14	6,7	4
K0250.3003	stainless steel	1.4404	fine turned	M3	18	10	18	8,6	7,5
K0250.3104	stainless steel	1.4404	fine turned	M4	21	12	21	10	10
K0250.3105	stainless steel	1.4404	fine turned	M5	21	12	21	10	12,5
K0250.3206	stainless steel	1.4404	fine turned	M6	25	14	25	12	12
K0250.3308	stainless steel	1.4404	fine turned	M8	33	18	33	16	16
K0250.3410	stainless steel	1.4404	fine turned	M10	40	24	40	18,7	20
K0250.4902	stainless steel	1.4404	blasted	M2	14	8	14	6,7	4
K0250.4003	stainless steel	1.4404	blasted	M3	18	10	18	8,6	7,5
K0250.4104	stainless steel	1.4404	blasted	M4	21	12	21	10	10
K0250.4105	stainless steel	1.4404	blasted	M5	21	12	21	10	12,5
K0250.4206	stainless steel	1.4404	blasted	M6	25	14	25	12	12
K0250.4308	stainless steel	1.4404	blasted	M8	33	18	33	16	16
K0250.4410	stainless steel	1.4404	blasted	M10	40	24	40	18,7	20
K0250.1902	aluminium	-	anodised	M2	14	8	14	6,7	4
K0250.1003	aluminium	-	anodised	M3	18	10	18	8,6	7,5
K0250.1104	aluminium	-	anodised	M4	21	12	21	10	10
K0250.1105	aluminium	-	anodised	M5	21	12	21	10	12,5
K0250.1206	aluminium	-	anodised	M6	25	14	25	12	12
K0250.1308	aluminium	-	anodised	M8	33	18	33	16	16
K0250.1410	aluminium	-	anodised	M10	40	24	40	18,7	20