

# Crank handles with fold-away grip, with square socket

## Item description/product images



## Description

### Version:

Black grey thermoplastic.  
Steel parts black oxidised.

### Note:

The hub cover is supplied unassembled.  
Versions with transverse bore are secured using the ISO 4027 (DIN 914) grub screw.

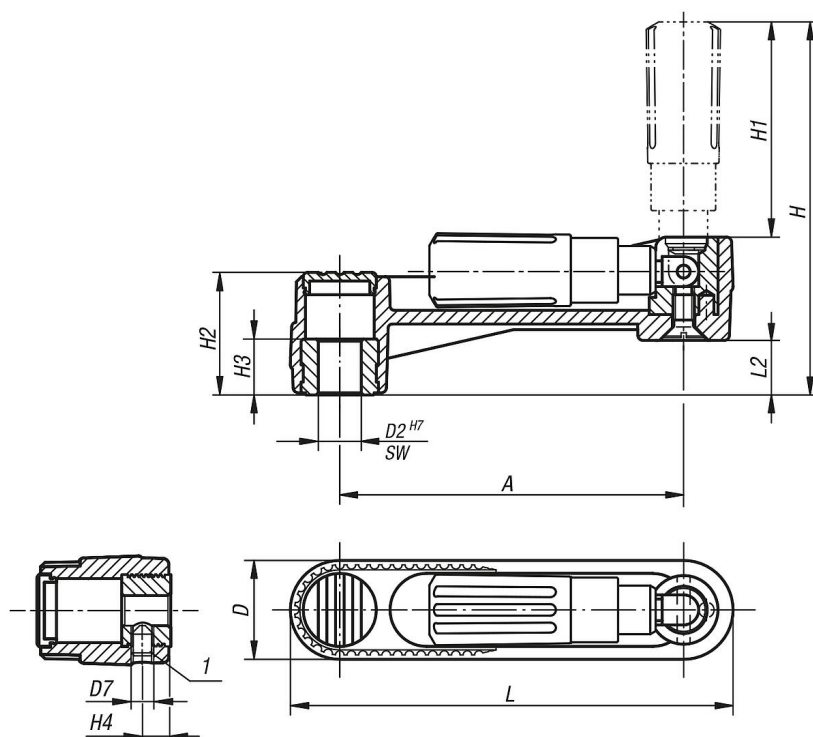
### Accessory:

K1160 cap screws screws, low head DIN 6912.

### Drawing reference:

1) Position of the transverse bore to the keyway is offset by 90°.

## Drawings



## Overview of items

Order No.	Version 1	Version 2	Component material	A	D	D7	H	H1	H2	H3	H4	L	L2	SW
K0266.2108	square socket	without transverse hole	steel	80	24	-	85,7	49	28,5	13	-	104	12,7	8
K0266.2110	square socket	without transverse hole	steel	80	24	-	85,7	49	28,5	13	-	104	12,7	10
K0266.2210	square socket	without transverse hole	steel	100	29	-	105,2	59,5	35,5	13	-	129	15,7	10
K0266.2212	square socket	without transverse hole	steel	100	29	-	105,2	59,5	35,5	13	-	129	15,7	12
K0266.2312	square socket	without transverse hole	steel	125	36	-	140	83	44	18,5	-	161	19,5	12
K0266.2314	square socket	without transverse hole	steel	125	36	-	140	83	44	18,5	-	161	19,5	14

## Crank handles with fold-away grip, with square socket

### Overview of items

Order No.	Version 1	Version 2	Component material	A	D	D7	H	H1	H2	H3	H4	L	L2	SW
<b>K0266.21086</b>	square socket	with transverse bore	steel	80	24	M6	85,7	49	28,5	13	7,5	104	12,7	8
<b>K0266.21106</b>	square socket	with transverse bore	steel	80	24	M6	85,7	49	28,5	13	7,5	104	12,7	10
<b>K0266.22106</b>	square socket	with transverse bore	steel	100	29	M6	105,2	59,5	35,5	13	7,5	129	15,7	10
<b>K0266.22126</b>	square socket	with transverse bore	steel	100	29	M6	105,2	59,5	35,5	13	7,5	129	15,7	12
<b>K0266.23126</b>	square socket	with transverse bore	steel	125	36	M6	140	83	44	18,5	7,5	161	19,5	12
<b>K0266.23146</b>	square socket	with transverse bore	steel	125	36	M6	140	83	44	18,5	7,5	161	19,5	14