

## Crank handles with cylindrical revolving grip, locating hole without slot

### Item description/product images



### Description

#### Material:

Crank thermoplastic.  
Cylinder grip thermoplastic and steel.

#### Version:

Black grey thermoplastic.  
Steel parts black oxidised.

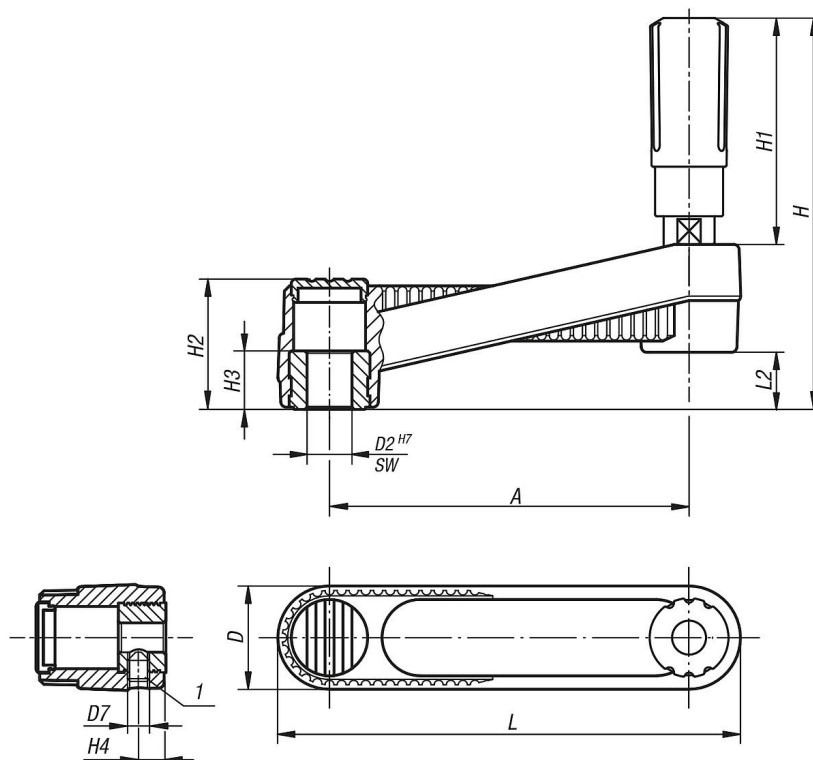
#### Note:

The hub cover and the revolving cylinder grip are supplied unassembled.  
To assemble, screw the grip into the tapped hole provided.  
Versions with transverse bore are secured using the ISO 4027 (DIN 914) grub screw.

#### Drawing reference:

1) Position of the transverse bore to the keyway is offset by 90°.

### Drawings



## Crank handles with cylindrical revolving grip, locating hole without slot

### Overview of items

#### Crank handles with revolving grip

| Order No.          | Version 1   | Version 2               | Component material | A   | D  | D2 | D7 | H     | H1   | H2   | H3   | H4  | L   | L2   |
|--------------------|-------------|-------------------------|--------------------|-----|----|----|----|-------|------|------|------|-----|-----|------|
| <b>K0659.3108</b>  | reamed hole | without transverse hole | steel              | 80  | 24 | 8  | -  | 85,8  | 49,1 | 28,5 | 13   | -   | 104 | 12,7 |
| <b>K0659.3110</b>  | reamed hole | without transverse hole | steel              | 80  | 24 | 10 | -  | 85,8  | 49,1 | 28,5 | 13   | -   | 104 | 12,7 |
| <b>K0659.3210</b>  | reamed hole | without transverse hole | steel              | 100 | 29 | 10 | -  | 107,1 | 61,4 | 35,5 | 13   | -   | 129 | 15,7 |
| <b>K0659.3212</b>  | reamed hole | without transverse hole | steel              | 100 | 29 | 12 | -  | 107,1 | 61,4 | 35,5 | 13   | -   | 129 | 15,7 |
| <b>K0659.3312</b>  | reamed hole | without transverse hole | steel              | 125 | 36 | 12 | -  | 139,5 | 82,5 | 44   | 18,5 | -   | 161 | 19,5 |
| <b>K0659.3314</b>  | reamed hole | without transverse hole | steel              | 125 | 36 | 14 | -  | 139,5 | 82,5 | 44   | 18,5 | -   | 161 | 19,5 |
| <b>K0659.31086</b> | reamed hole | with transverse bore    | steel              | 80  | 24 | 8  | -  | 85,8  | 49,1 | 28,5 | 13   | 7,5 | 104 | 12,7 |
| <b>K0659.31106</b> | reamed hole | with transverse bore    | steel              | 80  | 24 | 10 | -  | 85,8  | 49,1 | 28,5 | 13   | 7,5 | 104 | 12,7 |
| <b>K0659.32106</b> | reamed hole | with transverse bore    | steel              | 100 | 29 | 10 | -  | 107,1 | 61,4 | 35,5 | 13   | 7,5 | 129 | 15,7 |
| <b>K0659.32126</b> | reamed hole | with transverse bore    | steel              | 100 | 29 | 12 | -  | 107,1 | 61,4 | 35,5 | 13   | 7,5 | 129 | 15,7 |
| <b>K0659.33126</b> | reamed hole | with transverse bore    | steel              | 125 | 36 | 12 | -  | 139,5 | 82,5 | 44   | 18,5 | 7,5 | 161 | 19,5 |
| <b>K0659.33146</b> | reamed hole | with transverse bore    | steel              | 125 | 36 | 14 | -  | 139,5 | 82,5 | 44   | 18,5 | 7,5 | 161 | 19,5 |