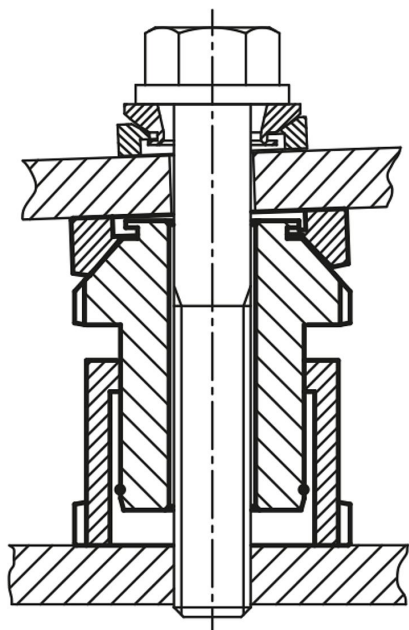


## Levelling sets spherical washer

### Item description/product images



### Description

#### Material:

Steel 1.7225.

Stainless steel 1.4305.

#### Version:

Standard version trivalent blue passivated.

Stainless steel version bright.

#### Note:

Levelling sets with spherical washers are used for mounting, levelling and aligning motors, aggregates, drive units and assembly lines. The spherical washer permits exact alignment when mounting on sloping surfaces of up to 4°.

They are characterised by their wide adjustment range of 15 mm to 50 mm.

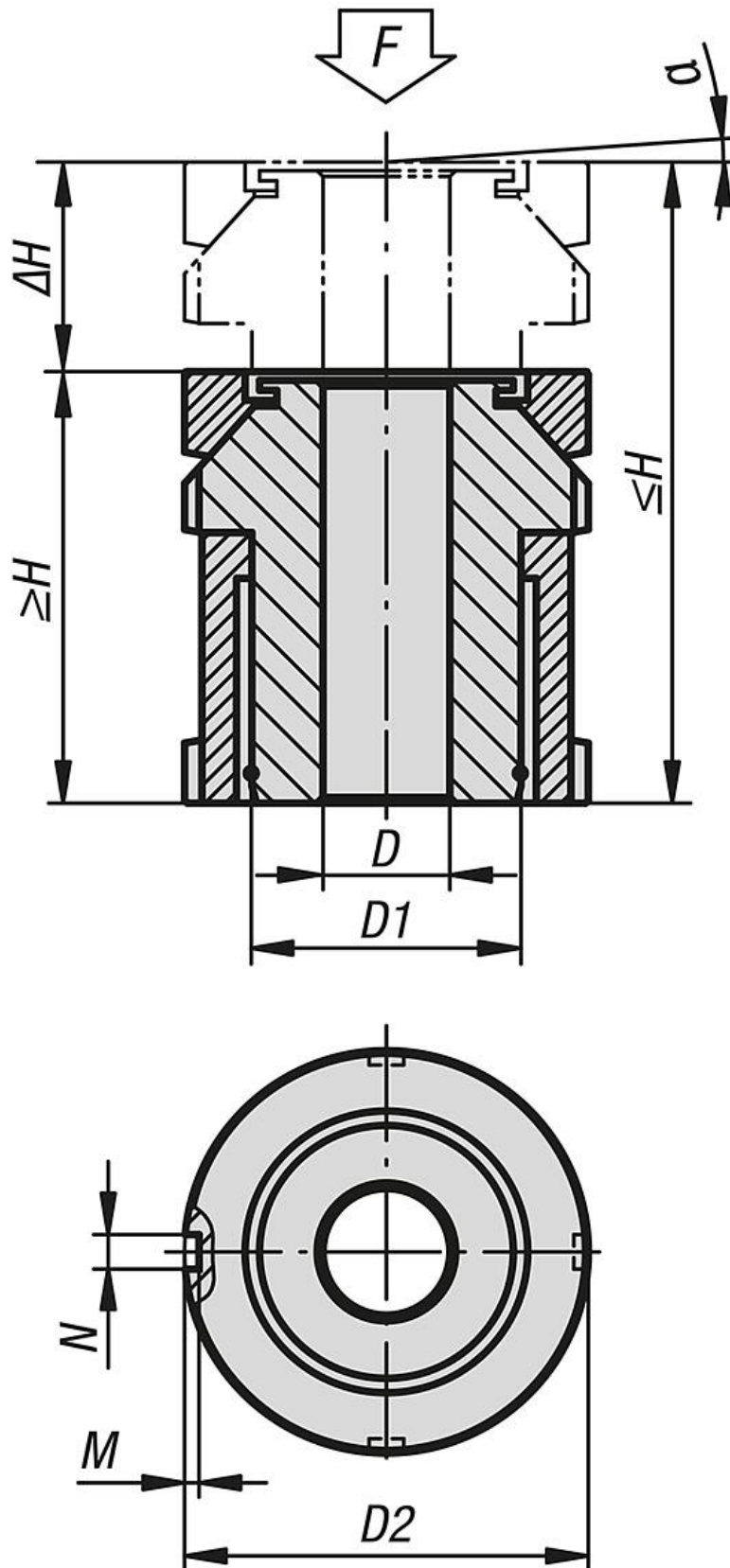
The static additional load F1 is effective after deducting the tensioning force (screw 8.8,  $\mu = 0.125$ ) from the total load F.

#### Accessory:

Spherical levelling washers K0691

## Levelling sets spherical washer

Drawings



## Levelling sets spherical washer

### Overview of items

### Levelling sets spherical washer

Order No.	Main material	D	for screw	D1	D2	H min.	H max.	ΔH	N	M	α	F kN	F1 kN
K0057.1506	high carbon steel	6,6	M6	M15x1	25	35	50	15	4	2	4°	40	36
K0057.2006	high carbon steel	6,6	M6	M20x1	32	43	63	20	4	2	4°	65	55,7
K0057.2008	high carbon steel	9	M8	M20x1	32	43	63	20	4	2	4°	65	48
K0057.2010	high carbon steel	11	M10	M20x1	32	43	63	20	4	2	4°	65	37,9
K0057.2510	high carbon steel	11	M10	M30x1,5	45	54	79	25	5	2	4°	120	92,9
K0057.2512	high carbon steel	13,5	M12	M30x1,5	45	54	79	25	5	2	4°	120	80,4
K0057.2516	high carbon steel	17,5	M16	M30x1,5	45	54	79	25	5	2	4°	120	45,5
K0057.3216	high carbon steel	17,5	M16	M40x1,5	58	70	102	32	6	2,5	4°	210	136
K0057.3220	high carbon steel	22	M20	M40x1,5	58	70	102	32	6	2,5	4°	210	90
K0057.3224	high carbon steel	26	M24	M40x1,5	58	70	102	32	6	2,5	4°	210	37
K0057.4020	high carbon steel	22	M20	M50x1,5	70	83	123	40	6	2,5	4°	330	210
K0057.4024	high carbon steel	26	M24	M50x1,5	70	83	123	40	6	2,5	4°	330	157
K0057.4030	high carbon steel	33	M30	M50x1,5	70	83	123	40	6	2,5	4°	330	53
K0057.5024	high carbon steel	26	M24	M60x2	80	94	144	50	7	3	4°	495	322
K0057.5030	high carbon steel	33	M30	M60x2	80	94	144	50	7	3	4°	495	218
K0057.15061	stainless steel	6,6	M6	M15x1	25	35	50	15	4	2	4°	27,1	24,14
K0057.20061	stainless steel	6,6	M6	M20x1	32	43	63	20	4	2	4°	43,4	36,56
K0057.20081	stainless steel	9	M8	M20x1	32	43	63	20	4	2	4°	43,4	30,86
K0057.20101	stainless steel	11	M10	M20x1	32	43	63	20	4	2	4°	43,4	23,41
K0057.25101	stainless steel	11	M10	M30x1,5	45	54	79	25	5	2	4°	84	64,01
K0057.25121	stainless steel	13,5	M12	M30x1,5	45	54	79	25	5	2	4°	84	54,82
K0057.25161	stainless steel	17,5	M16	M30x1,5	45	54	79	25	5	2	4°	84	28,9
K0057.32161	stainless steel	17,5	M16	M40x1,5	58	70	102	32	6	2,5	4°	148	92,9
K0057.32201	stainless steel	22	M20	M40x1,5	58	70	102	32	6	2,5	4°	148	59,08
K0057.32241	stainless steel	26	M24	M40x1,5	58	70	102	32	6	2,5	4°	148	20,3
K0057.40201	stainless steel	22	M20	M50x1,5	70	83	123	40	6	2,5	4°	225	136,08
K0057.40241	stainless steel	26	M24	M50x1,5	70	83	123	40	6	2,5	4°	225	97,3
K0057.40301	stainless steel	33	M30	M50x1,5	70	83	123	40	6	2,5	4°	225	20,6
K0057.50241	stainless steel	26	M24	M60x2	80	94	144	50	7	3	4°	323	195,3
K0057.50301	stainless steel	33	M30	M60x2	80	94	144	50	7	3	4°	323	118,6