

Self-aligning pads, swivel angle 14° and 20°, Form M, flattened ball with carbide diamond grips

Item description/product images



Description

Material:

Body steel.

Ball rust and acid resistant steel.

Form M with carbide insert.

Version:

Body black oxidised.

Ball bright.

Note:

Self-aligning pads are used to support and clamp unmachined and machined workpieces. They also serve as stops, supports and thrust pads in fixture and toolmaking.

Grub screws or threaded studs can be screwed and glued into thread D2 making a self-aligning pad with external thread.

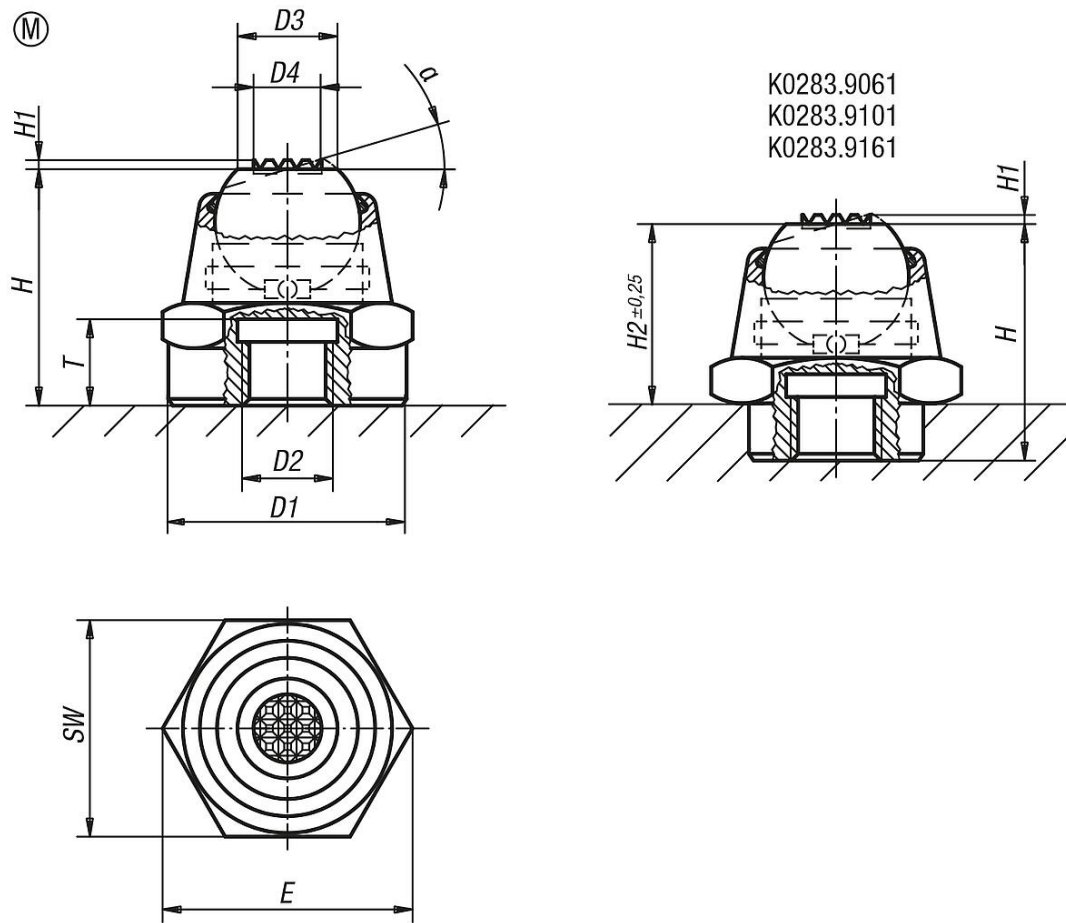
Ball secured against rotation.

Advantages:

- Self-aligning pads can be swiveled.
- High load forces can be absorbed.
- The built-in o-ring keeps dirt and foreign particles out, which in turn guarantees reliable operation.

Self-aligning pads, swivel angle 14° and 20°, Form M, flattened ball with carbide diamond grips

Drawings



Overview of items

Order No.	Form	α	D1	D2	D3	D4	H	H1	H2	E	T	Ball-Ø	SW	Load rating max. kN (static load only)
K0283.9061	M	14°	12	M6	7	6,35	17,5	0,6	12,5	19,6	6	10	17	14
K0283.906	M	14°	16	M6	7	6,35	17,5	0,6	-	19,6	6	10	17	14
K0283.908	M	20°	22	M8	11	7,5	26	0,8	-	27,7	9	16	24	34
K0283.9101	M	20°	18	M10	11	7,5	26	0,8	20	27,7	9	16	24	34
K0283.910	M	20°	22	M10	11	7,5	26	0,8	-	27,7	9	16	24	34
K0283.912	M	20°	22	M12	11	7,5	26	0,8	-	27,7	9	16	24	34
K0283.9161	M	20°	26	M16	18	12,7	40	0,9	30	41,6	15	25	36	90
K0283.916	M	20°	34	M16	18	12,7	40	0,9	-	41,6	15	25	36	90
K0283.920	M	20°	34	M20	18	12,7	40	0,9	-	41,6	15	25	36	90