

Self-aligning pads adjustable, with O-ring and hexagon socket

Item description/product images



Description

Material:

Body carbon steel.

Ball:

Form C, F, tool steel.

Form K POM.

Form O stainless steel diamond impregnated.

Form P stainless steel with polyurethane surface.

Version:

Body tempered, black oxidised.

Ball:

Form C, F hardened, black oxidised.

Form K POM ball, white.

Form O surface comparable to 100 grade abrasive grit.

Form P polyurethane, hardness 60 Shore.

Note:

Self-aligning pads are used to support and clamp unmachined and machined workpieces.

They also serve as stops, supports and thrust pads in fixtures and toolmaking.

Ball secured against rotation.

Form O: The abrasive diamond surface is bonded firmly to the ball. It is ideally suited to supporting smooth or slippery applications with a minimum of clamping pressure. This allows the diamond particles to get a firm grip on a very small area with minimum damage to the surface.

The diamond surface offers excellent wear resistance.

Form P: The polyurethane surface is vulcanised firmly to the ball. It is abrasion-resistant and does not discolour. Offers optimum protection against damage to delicate surfaces. The pearl-like surface gives a firm grip and allows air to escape so as to prevent any suction effect between the contact surface and the toggle locator.

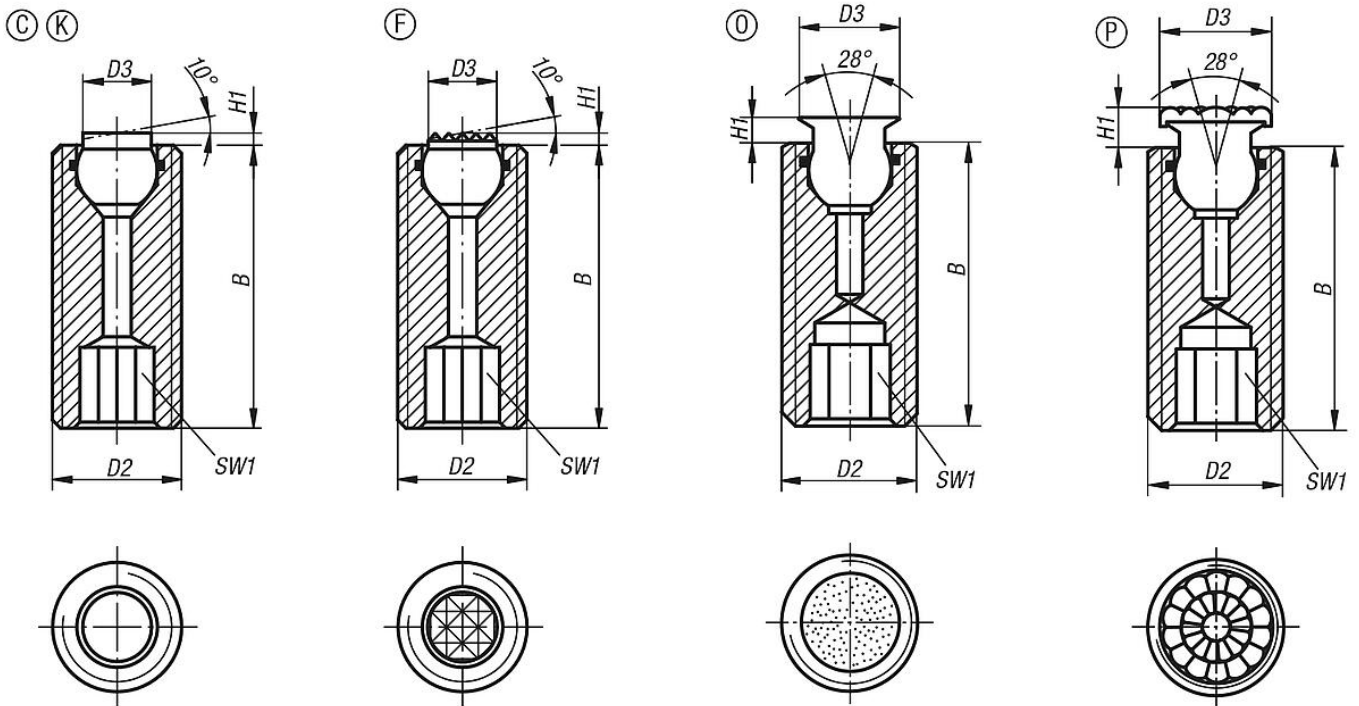
Advantages:

The built-in O-ring holds the ball in place and keeps dirt and foreign particles out, ensuring uniform movement.

The hexagon socket allows easy adjustment and positioning in through holes.

Self-aligning pads adjustable, with O-ring and hexagon socket

Drawings



Overview of items

Order No.	Form	B	D2	D3	H1	SW1	Ball-Ø	Load rating max. kN (static load only)
K0290.112X025	C	25	M12	6	1,5	6	7	15
K0290.112X035	C	35	M12	6	1,5	6	7	15
K0290.112X050	C	50	M12	6	1,5	6	7	15
K0290.116X025	C	25	M16	8,5	1,5	8	10	23
K0290.116X035	C	35	M16	8,5	1,5	8	10	23
K0290.116X050	C	50	M16	8,5	1,5	8	10	23

Order No.	Form	B	D2	D3	H1	SW1	Ball-Ø	Load rating max. kN (static load only)
K0290.312X025	F	25	M12	6	1,5	6	7	15
K0290.312X035	F	35	M12	6	1,5	6	7	15
K0290.312X050	F	50	M12	6	1,5	6	7	15
K0290.316X025	F	25	M16	8,5	1,5	8	10	23
K0290.316X035	F	35	M16	8,5	1,5	8	10	23
K0290.316X050	F	50	M16	8,5	1,5	8	10	23

Order No.	Form	B	D2	D3	H1	SW1	Ball-Ø	Load rating max. kN (static load only)
K0290.712X025	K	25	M12	6	1,5	6	7	2
K0290.712X035	K	35	M12	6	1,5	6	7	2
K0290.712X050	K	50	M12	6	1,5	6	7	2
K0290.716X025	K	25	M16	8,5	1,5	8	10	4
K0290.716X035	K	35	M16	8,5	1,5	8	10	4
K0290.716X050	K	50	M16	8,5	1,5	8	10	4

Self-aligning pads adjustable, with O-ring and hexagon socket

Overview of items

Order No.	Form	B	D2	D3	H1	SW1	Ball-Ø	Load rating max. kN (static load only)
K0290.510X	0	25/35/50	M10	6	1,5	5	5	-
K0290.512X	0	25/35/50	M12	8	2	6	7	15,4
K0290.516X	0	25/35/50	M16	11	3	8	10	23,3
K0290.520X	0	30/50/70	M20	14	3	10	13	37,7

Order No.	Form	B	D2	D3	H1	SW1	Ball-Ø
K0290.610X	P	25/35/50	M10	8	3,5	5	5
K0290.612X	P	25/35/50	M12	10	4	6	7
K0290.616X	P	25/35/50	M16	13	5	8	10
K0290.620X	P	30/50/70	M20	16	5	10	13