

Self-aligning pads, adjustable, with O-ring and exchangeable inserts, hexagon socket, Form K, flattened POM insert smooth

Item description/product images



Description

Material:

Body carbon steel.

Ball rust and acid resistant steel.

Insert:

Form K POM

Version:

Body tempered and black oxidised.

Ball hardened and bright.

Insert:

Form K white

Note:

Self-aligning pads are used to support and clamp unmachined and machined workpieces.

They can also be used as stops, supports and thrust pads in fixtures and toolmaking.

The ball can be removed from the housing by applying light pressure to the socket head screw.

Ball secured against rotation.

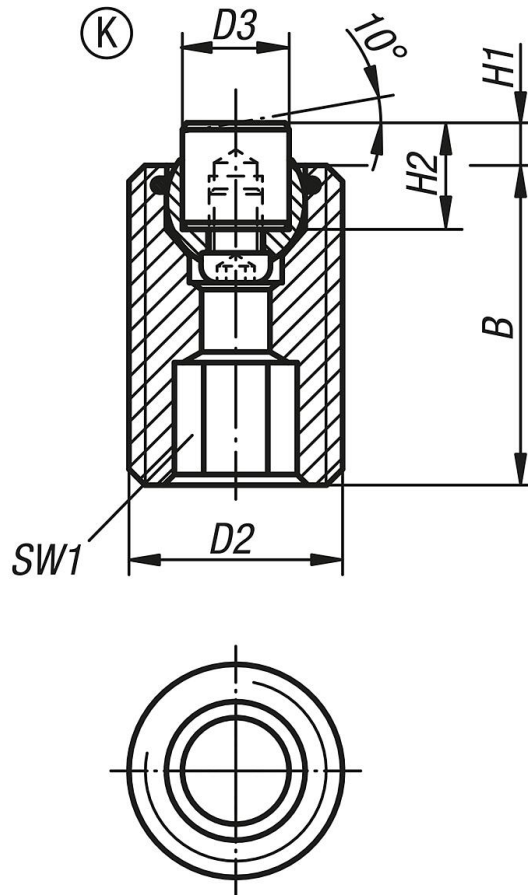
Advantages:

Highly cost-effective as inserts can be exchanged.

The built-in O-ring holds the ball in place and keeps dirt and foreign particles out, ensuring uniform movement.

Self-aligning pads, adjustable, with O-ring and exchangeable inserts, hexagon socket, Form K, flattened POM insert smooth

Drawings



Overview of items

Order No.	Form	B	D2	D3	H1	H2	SW1	Ball-Ø	Load rating max. kN (static load only)	Order No. POM insert
K0291.720X030	K	30	M20	10	4	10	10	13	4	K0385.10109
K0291.720X050	K	50	M20	10	4	10	10	13	4	K0385.10109
K0291.720X070	K	70	M20	10	4	10	10	13	4	K0385.10109
K0291.724X040	K	40	M24	12	4	10	10	15	7	K0385.12109
K0291.724X080	K	80	M24	12	4	10	10	15	7	K0385.12109