

Flattened locating pins, Form C

Item description/product images



Description

Material:

Tool steel.

Version:

Hardened and ground.

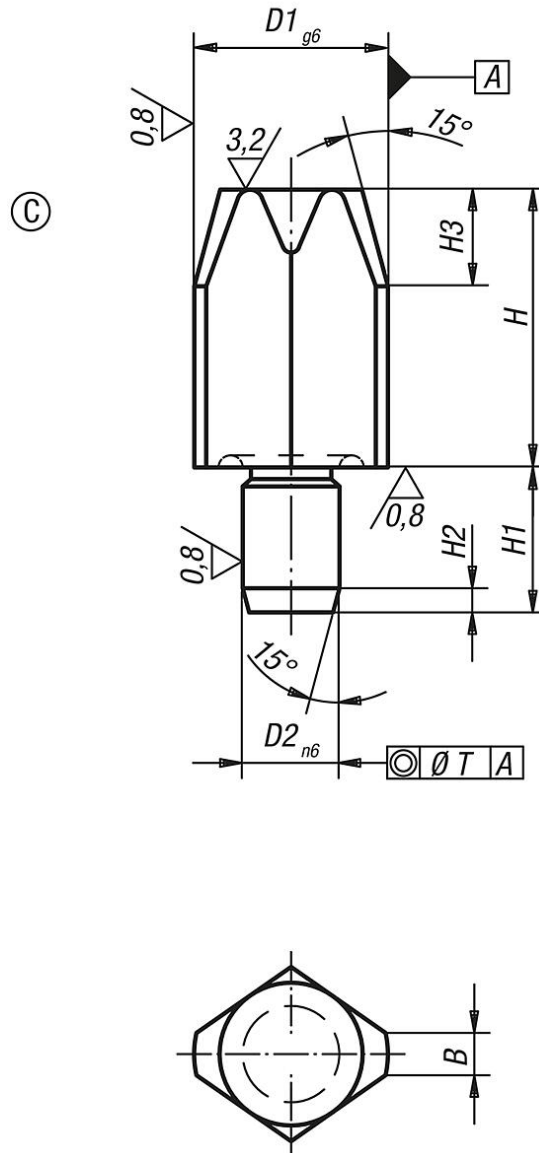
Note:

The flattened Form C can be used to bridge tolerances in hole spacing or to secure the part to be positioned in one direction only.

For similar pins, see K0352, K0353, K0354 and K0355.

Flattened locating pins, Form C

Drawings



Overview of items

Order No.	Form	Version 1	B	D1	D2	H	H1	H2	H3	T
K0293.406	C	short	1	6	4	7	6	1,2	4	0,02
K0293.408	C	short	1,6	8	6	10	9	1,6	6	0,02
K0293.410	C	short	2,5	10	6	10	9	1,6	6	0,02
K0293.412	C	short	2,5	12	6	10	9	1,6	6	0,02
K0293.416	C	short	3,5	16	8	13	12	2	8	0,04
K0293.420	C	short	5	20	12	15	18	2	9	0,04
K0293.425	C	short	5	25	12	15	18	2,5	9	0,04
K0293.506	C	long	1	6	4	12	6	1,2	4	0,02
K0293.508	C	long	1,6	8	6	16	9	1,6	6	0,02
K0293.510	C	long	2,5	10	6	18	9	1,6	6	0,02
K0293.512	C	long	2,5	12	6	18	9	1,6	6	0,02
K0293.516	C	long	3,5	16	8	22	12	2	8	0,04
K0293.520	C	long	5	20	12	25	18	2	9	0,04
K0293.525	C	long	5	25	12	25	18	2,5	9	0,04

