

## Positioning feet, Form D serrated face tempered

### Item description/product images



### Description

**Material:**

Body high carbon steel.

**Version:**

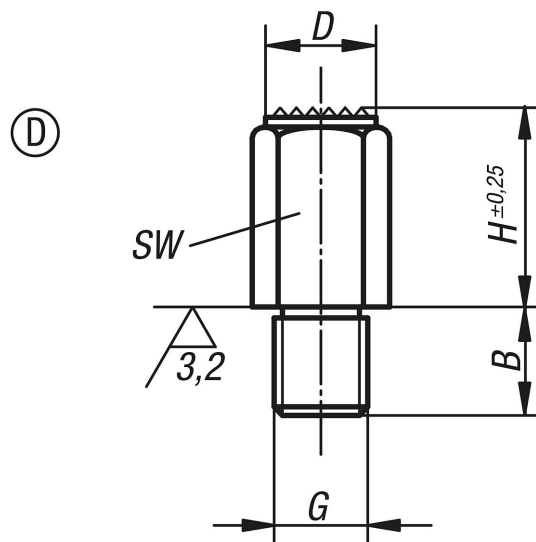
Body tempered and black oxidised.

Contact faces case-hardened.

**Note:**

These positioning feet are used as supports for rough and machined parts. They can also be used as stops and thrust pads in fixtures and toolmaking.

### Drawings



### Overview of items

Order No.	Form	B	D	G	H	SW
K0299.406010	D	11	10	M6	10	10
K0299.406020	D	11	10	M6	20	10
K0299.408015	D	13	13	M8	15	13
K0299.408030	D	13	13	M8	30	13
K0299.410020	D	16	17	M10	20	17
K0299.410040	D	16	17	M10	40	17
K0299.412025	D	20	19	M12	25	19

## Positioning feet, Form D serrated face tempered

### Overview of items

Order No.	Form	B	D	G	H	SW
K0299.412050	D	20	19	M12	50	19
K0299.416030	D	24	27	M16	30	27
K0299.416060	D	24	27	M16	60	27
K0299.420040	D	29	32	M20	40	32
K0299.420080	D	29	32	M20	80	32