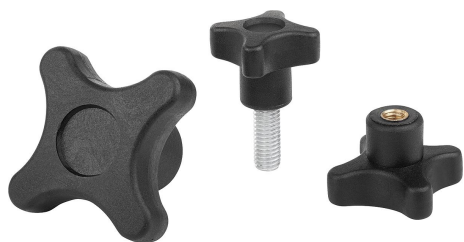


Item description/product images



Description

Material:

Fibreglass reinforced thermoplastic.

Tapped bush brass.

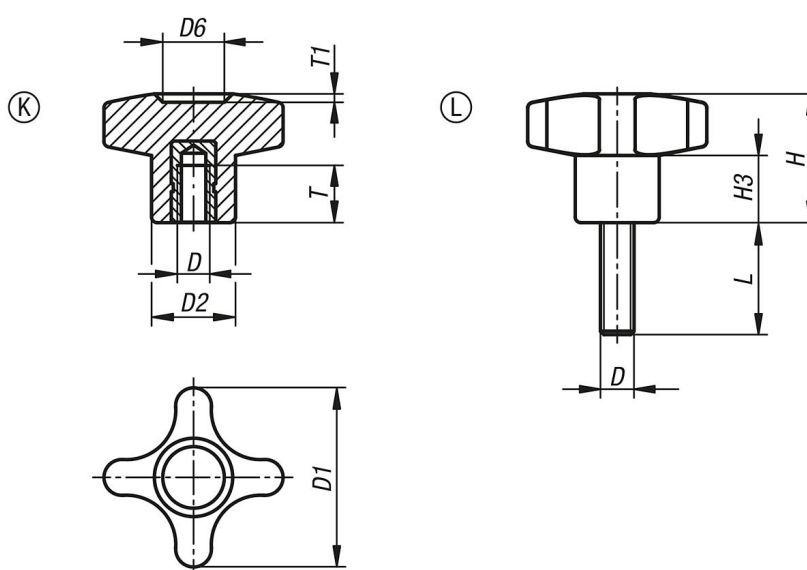
Screw steel.

Version:

Grip, black.

Screw electro zinc-plated.

Drawings



Overview of items

Order No.	Form	D	D1	D2	D6	H	H3	L	T	T1
K1089.23205	K	M5	32	15	11	23	12	-	14	1,5
K1089.23206	K	M6	32	15	11	23	12	-	14	1,5
K1089.24008	K	M8	40	16	13	24,5	12,5	-	14	1,5
K1089.25010	K	M10	50	20	14	29	15	-	14	2
K1089.26012	K	M12	60	24	18	34	18,5	-	18	2
K1089.43205X	L	M5	32	15	11	23	11	16/20	-	1,5
K1089.43206X	L	M6	32	15	11	23	11	16/20/30	-	1,5
K1089.43208X	L	M8	32	15	11	23	11	16/20/30/40	-	1,5
K1089.44006X	L	M6	40	15,7	12	24,5	12,5	20/30	-	1
K1089.44008X	L	M8	40	15,7	12	24,5	12,5	20/30/40/50	-	1
K1089.45008X	L	M8	50	20	14,5	29	15	20/30/40	-	1,5
K1089.45010X	L	M10	50	20	14,5	29	15	20/30/40/50	-	1,5
K1089.46010X	L	M10	60	24	18	34	18,5	20/30/40/50	-	1,5
K1089.46012X	L	M12	60	24	18	34	18,5	20/30/40/50	-	1,5

Order No.	Form	D	D1	D2	D6	H	H3	T1	L
K1089.43205X	L	M5	32	15	11	23	11	1,5	16/20
K1089.43206X	L	M6	32	15	11	23	11	1,5	16/20/30
K1089.43208X	L	M8	32	15	11	23	11	1,5	16/20/30/40
K1089.44006X	L	M6	40	15,7	12	24,5	12,5	1	20/30

Palm grips

Overview of items

Order No.	Form	D	D1	D2	D6	H	H3	T1	L
K1089.44008X	L	M8	40	15,7	12	24,5	12,5	1	20/30/40/50
K1089.45008X	L	M8	50	20	14,5	29	15	1,5	20/30/40
K1089.45010X	L	M10	50	20	14,5	29	15	1,5	20/30/40/50
K1089.46010X	L	M10	60	24	18	34	18,5	1,5	20/30/40/50
K1089.46012X	L	M12	60	24	18	34	18,5	1,5	20/30/40/50