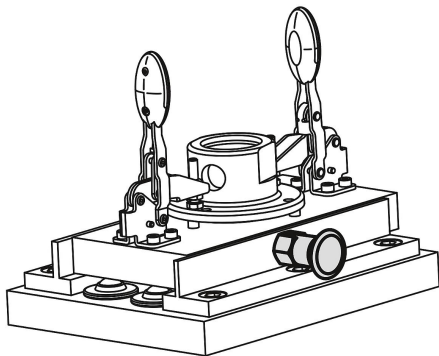


# Indexing plungers, steel or stainless steel with plastic mushroom grip and locking slot

Item description/product images



## Description

### Material:

Steel version:

Grub screw and indexing pin steel.

Stainless steel version:

Indexing pin hardened:

Threaded sleeve 1.4305.

Indexing pin 1.4034.

Indexing pin not hardened:

Threaded sleeve 1.4305.

Indexing pin 1.4305.

Mushroom grip black grey thermoplastic.

### Version:

Steel version:

Threaded sleeve, black oxidised.

Indexing pin hardened, ground and black oxidised.

Stainless steel version:

Threaded sleeve, bright.

Indexing pin hardened, ground and bright.

Indexing pin not hardened, ground and bright.

### Note:

Indexing plungers are used to prevent any change in locking position due to lateral forces. A new locking position can only be set after the pin has been manually disengaged. Form C or D is recommended for applications in which the pin is disengaged over extended periods and should be prevented from springing back.

### On request:

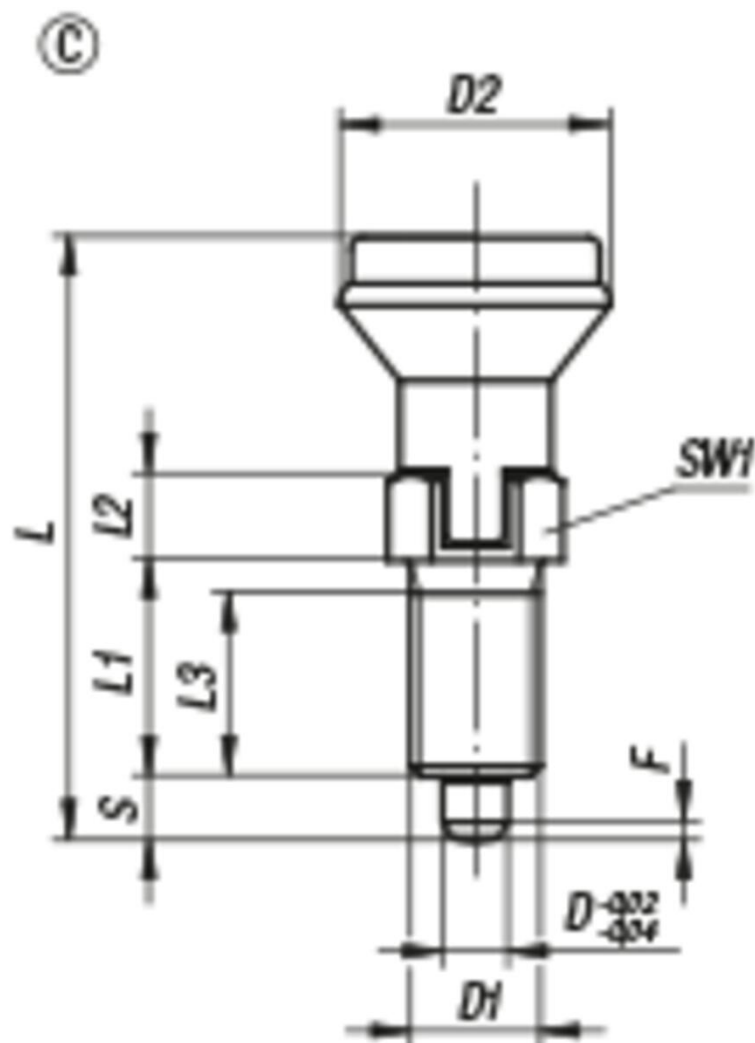
Special versions.

### Accessory:

Spacer rings K0665

# Indexing plungers, steel or stainless steel with plastic mushroom grip and locking slot

Drawings



## Overview of items

Order No.	Form	Main material	locating pin	D	D1	D2	L	L1	L2	L3	Travel S	SW1	Fx30°	Spring force initial pressure F1 approx. N	Spring force final pressure F2 approx. N
K0339.3105	C	steel	hardened	5	M10x1	21	47	17	7	15	5	13	1,3	5	12
K0339.3206	C	steel	hardened	6	M12x1,5	25	56	20	8	17	6	14	1,8	6	14
K0339.3308	C	steel	hardened	8	M16x1,5	33	74	26	10	23	8	19	2,3	15	35
K0339.3410	C	steel	hardened	10	M20x1,5	33	80	28	12	25	10	22	2,8	15	34
K0339.03105	C	stainless steel	hardened	5	M10x1	21	47	17	7	15	5	13	1,3	5	12
K0339.03206	C	stainless steel	hardened	6	M12x1,5	25	56	20	8	17	6	14	1,8	6	14
K0339.03308	C	stainless steel	hardened	8	M16x1,5	33	74	26	10	23	8	19	2,3	15	35
K0339.03410	C	stainless steel	hardened	10	M20x1,5	33	80	28	12	25	10	22	2,8	15	34
K0339.13105	C	stainless steel	not hardened	5	M10x1	21	47	17	7	15	5	13	1,3	5	12
K0339.13206	C	stainless steel	not hardened	6	M12x1,5	25	56	20	8	17	6	14	1,8	6	14
K0339.13308	C	stainless steel	not hardened	8	M16x1,5	33	74	26	10	23	8	19	2,3	15	35
K0339.13410	C	stainless steel	not hardened	10	M20x1,5	33	80	28	12	25	10	22	2,8	15	34

**Indexing plungers, steel or stainless steel with plastic mushroom grip and locking slot**

