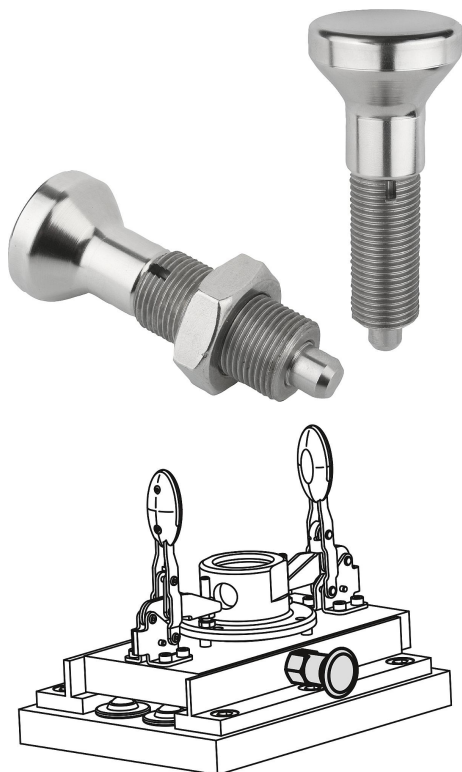


# Indexing plungers, stainless steel, without collar, with stainless steel mushroom grip

Item description/product images



## Description

### Material:

Indexing pin hardened:  
Threaded sleeve 1.4305.  
Indexing pin 1.4034.

Indexing pin not hardened:  
Threaded sleeve 1.4305.  
Indexing pin 1.4305.

Mushroom grip 1.4305, fine turned.

### Version:

Bright.  
Indexing pin ground.

### Note:

Indexing plungers are used to prevent any change in locking position due to lateral forces. A new locking position can only be set after the pin has been manually disengaged.

A screw-in washer can be supplied to help screw the indexing plungers in. The washer slides beneath the disengaged mushroom knob so that the follower pins engage in the slot.

### On request:

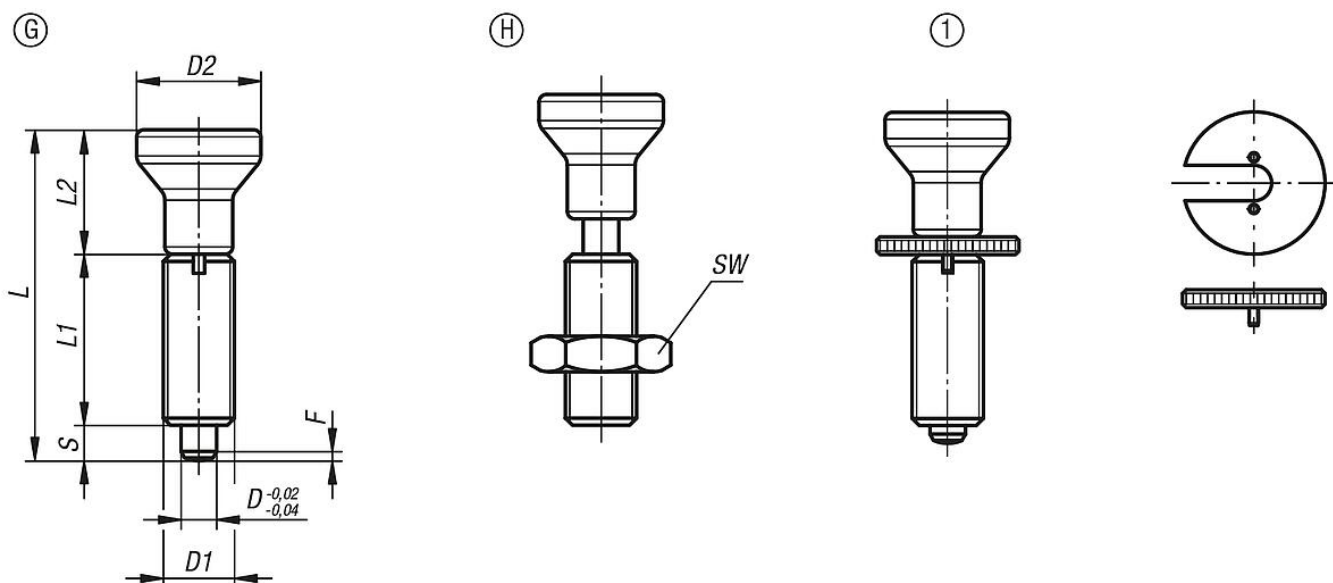
Special versions.

### Drawing reference:

Form G: without locknut  
Form H: with locknut

1) Indexing plunger with screw-in washer

## Drawings



# Indexing plungers, stainless steel, without collar, with stainless steel mushroom grip

## Overview of items

### Indexing plungers stainless steel without collar

Order No.	Main material	Form	Surface finish body	D	D1	D2	L	L1	L2	Travel S	SW	Fx30°	Spring force initial pressure F1 approx. N	Spring force final pressure F2 approx. N	Order No. screw-in washer
K0634.001903	stainless steel	G	hardened	3	M6x0,75	14	34,5	17	14	3,5	-	0,8	4,5	10	K0344.99
K0634.001004	stainless steel	G	hardened	4	M8x1	18	43	21	18	4	-	1	6	12	K0344.90
K0634.001105	stainless steel	G	hardened	5	M10x1	21	50	24	21	5	-	1,3	5	12	K0344.91
K0634.001206	stainless steel	G	hardened	6	M12x1,5	25	59	28	25	6	-	1,8	6	14	K0344.92
K0634.001308	stainless steel	G	hardened	8	M16x1,5	33	77	36	33	8	-	2,3	15	35	K0344.93
K0634.001410	stainless steel	G	hardened	10	M20x1,5	33	83	40	33	10	-	2,8	15	34	K0344.94
K0634.001412	stainless steel	G	hardened	12	M20x1,5	33	87	42	33	12	-	2,8	15	39	K0344.94
K0634.001516	stainless steel	G	hardened	16	M24x2	40	106	50	40	16	-	3,2	20	46	K0344.95
K0634.111903	stainless steel	G	not hardened	3	M6x0,75	14	34,5	17	14	3,5	-	0,8	4,5	10	K0344.99
K0634.111004	stainless steel	G	not hardened	4	M8x1	18	43	21	18	4	-	1	6	12	K0344.90
K0634.111105	stainless steel	G	not hardened	5	M10x1	21	50	24	21	5	-	1,3	5	12	K0344.91
K0634.111206	stainless steel	G	not hardened	6	M12x1,5	25	59	28	25	6	-	1,8	6	14	K0344.92
K0634.111308	stainless steel	G	not hardened	8	M16x1,5	33	77	36	33	8	-	2,3	15	35	K0344.93
K0634.111410	stainless steel	G	not hardened	10	M20x1,5	33	83	40	33	10	-	2,8	15	34	K0344.94
K0634.111412	stainless steel	G	not hardened	12	M20x1,5	33	87	42	33	12	-	2,8	15	39	K0344.94
K0634.111516	stainless steel	G	not hardened	16	M24x2	40	106	50	40	16	-	3,2	20	46	K0344.95
K0634.002903	stainless steel	H	hardened	3	M6x0,75	14	34,5	17	14	3,5	10	0,8	4,5	10	K0344.99
K0634.002004	stainless steel	H	hardened	4	M8x1	18	43	21	18	4	13	1	6	12	K0344.90
K0634.002105	stainless steel	H	hardened	5	M10x1	21	50	24	21	5	17	1,3	5	12	K0344.91
K0634.002206	stainless steel	H	hardened	6	M12x1,5	25	59	28	25	6	19	1,8	6	14	K0344.92
K0634.002308	stainless steel	H	hardened	8	M16x1,5	33	77	36	33	8	24	2,3	15	35	K0344.93
K0634.002410	stainless steel	H	hardened	10	M20x1,5	33	83	40	33	10	30	2,8	15	34	K0344.94
K0634.002412	stainless steel	H	hardened	12	M20x1,5	33	87	42	33	12	30	2,8	15	39	K0344.94
K0634.002516	stainless steel	H	hardened	16	M24x2	40	106	50	40	16	36	3,2	20	46	K0344.95
K0634.112903	stainless steel	H	not hardened	3	M6x0,75	14	34,5	17	14	3,5	10	0,8	4,5	10	K0344.99
K0634.112004	stainless steel	H	not hardened	4	M8x1	18	43	21	18	4	13	1	6	12	K0344.90
K0634.112105	stainless steel	H	not hardened	5	M10x1	21	50	24	21	5	17	1,3	5	12	K0344.91
K0634.112206	stainless steel	H	not hardened	6	M12x1,5	25	59	28	25	6	19	1,8	6	14	K0344.92
K0634.112308	stainless steel	H	not hardened	8	M16x1,5	33	77	36	33	8	24	2,3	15	35	K0344.93
K0634.112410	stainless steel	H	not hardened	10	M20x1,5	33	83	40	33	10	30	2,8	15	34	K0344.94
K0634.112412	stainless steel	H	not hardened	12	M20x1,5	33	87	42	33	12	30	2,8	15	39	K0344.94
K0634.112516	stainless steel	H	not hardened	16	M24x2	40	106	50	40	16	36	3,2	20	46	K0344.95