

Crank handles revolving grip, reamed hole

Item description/product images



Description

Material:

Crank aluminium.
Cylinder grip thermoplastic and steel.

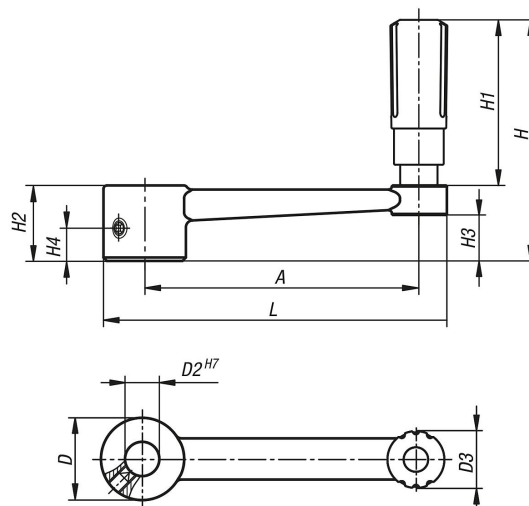
Version:

Crank black powder-coated.
Thermoplastic black grey.
Steel parts black oxidised.

Note:

Similar to DIN 469.
Versions with transverse bore are secured using the ISO 4027 (DIN 914) grub screw.

Drawings



Overview of items

Order No.	Version 1	Version 2	A	D	D2	D3	D7	H	H1	H2	H3	H4	L
K0996.3110	reamed hole	without transverse hole	80	24	10	16	-	71,1	49,1	22	13,4	-	100
K0996.3212	reamed hole	without transverse hole	100	28	12	20	-	87,4	61,4	26	16	-	124
K0996.3314	reamed hole	without transverse hole	125	30	14	25	-	110,5	82,5	28	15,8	-	153

Crank handles revolving grip, reamed hole

Overview of items

Order No.	Version 1	Version 2	A	D	D2	D3	D7	H	H1	H2	H3	H4	L
K0996.3417	reamed hole	without transverse hole	160	34	17	25	-	114,5	82,5	32	19,6	-	190
K0996.31106	reamed hole	with transverse bore	80	24	10	16	M6	71,1	49,1	22	13,4	7,5	100
K0996.32126	reamed hole	with transverse bore	100	28	12	20	M6	87,4	61,4	26	16	7,5	124
K0996.33146	reamed hole	with transverse bore	125	30	14	26	M6	111	83	28	15,8	7,5	153
K0996.34176	reamed hole	with transverse bore	160	34	17	26	M6	115	83	32	19,6	7,5	190