

Mounting brackets, Form A

Item description/product images



Description

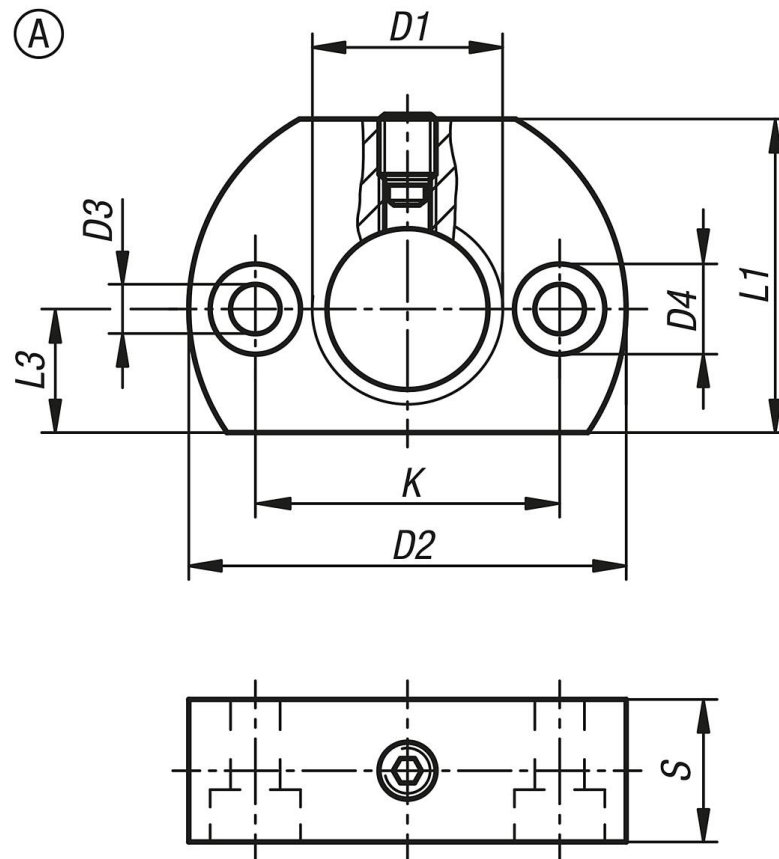
Material:
Steel.

Version:
Black oxidised.

Note:

These mounting brackets are assembly aids for cam-action indexing plungers and extend their application field. They can also be used with other indexing plungers or other elements that have a suitable thread. Fastened using cap screws.

Drawings



Overview of items

Order No.	Form	D1	D2	D3	D4	K	L1	L3	S
K0638.112	A	M12	36	5,5	10	24	25	10	12
K0638.1121	A	M12x1,5	36	5,5	10	24	25	10	12
K0638.116	A	M16	46	5,5	10	32	33	13	15
K0638.1161	A	M16x1,5	46	5,5	10	32	33	13	15
K0638.120	A	M20	46	5,5	10	32	33	13	15
K0638.1201	A	M20x1,5	46	5,5	10	32	33	13	15

