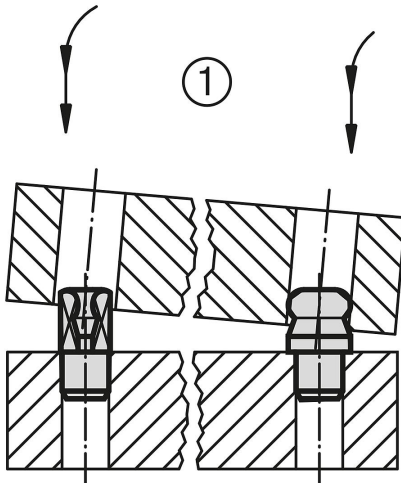


Locating pins with ball-end Form B

Item description/product images



Description

Material:

Tool steel or 1.4305 stainless steel.

Version:

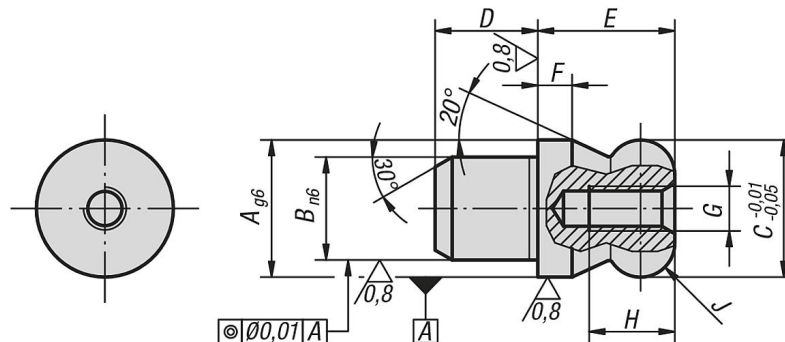
Steel hardened and ground.

Stainless steel ground and kolsterised.

Note:

Ball end locating pins are specially designed to ease the locating process. The tendency to jam, caused by the locating hole not being at right angles to the pin or by the pushing force not being parallel to the pin axis, is minimized by the ball-end form (see illustration).

Drawings



Overview of items

Locating pins with ball-end Form B

Order No.	Material	A	B	C	D	E	F	G	H	J
K0351.06	tool steel	6	4	6	4	6	2	M2,5	4,5	R 1
K0351.08	tool steel	8	6	8	6	8	2	M3	6	R 2
K0351.10	tool steel	10	7	10	7	10	2,5	M3	6	R 2,5
K0351.12	tool steel	12	8	12	8	12	3	M4	8	R 3
K0351.14	tool steel	14	10	14	10	14	3,5	M4	8	R 3,5
K0351.16	tool steel	16	12	16	12	16	4	M5	10	R 4
K0351.20	tool steel	20	14	20	14	20	5	M5	10	R 5
K0351.22	tool steel	22	16	22	16	22	5,5	M5	10	R 5,5
K0351.25	tool steel	25	18	25	18	25	6	M5	10	R 6

Locating pins with ball-end Form B

Overview of items

Order No.	Material	A	B	C	D	E	F	G	H	J
K0351.506	stainless steel	6	4	6	4	6	2	M2,5	4,5	R 1
K0351.508	stainless steel	8	6	8	6	8	2	M3	6	R 2
K0351.510	stainless steel	10	7	10	7	10	2,5	M3	6	R 2,5
K0351.512	stainless steel	12	8	12	8	12	3	M4	8	R 3
K0351.514	stainless steel	14	10	14	10	14	3,5	M4	8	R 3,5
K0351.516	stainless steel	16	12	16	12	16	4	M5	10	R 4
K0351.520	stainless steel	20	14	20	14	20	5	M5	10	R 5