

Ball lock pins with stainless steel mushroom grip

Item description/product images



Description

Material:

Metal parts stainless steel.

Version:

Bright.

Note:

Ball lock pins are used for easy fastening or joining of components or workpieces. The two balls are disengaged by pressing the push button and the pin can be slipped into holes in the workpieces. Release the button to lock the balls and secure the connection.

Corrosion resistant. Option for connecting retaining cable.

Shear force double shear (F) = S · τ aB max.

The values given for the shear force are the theoretical breaking load.

These are non-binding reference values without consideration of safety factors and exclude any liability. The values given are for information purposes only and do not constitute a legally binding assurance of properties.

The load values have been calculated in accordance with DIN 50141. Each user must determine individually whether the ball lock pin is suitable for the respective application.

Different materials in which the ball lock pins are used, weather conditions and wear can influence the determined values.

Accessory:

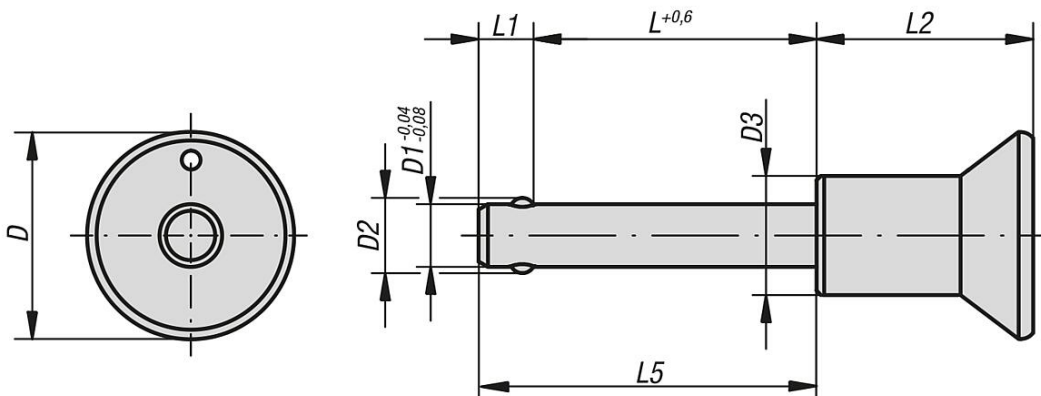
Bushes for ball lock pins K0724

Safety spiral cable K0367

Retaining cable with loop K0367

Key ring K0367

Drawings



Overview of items

Ball lock pins with stainless steel mushroom grip

Overview of items

Ball lock pins, stainless steel

Order No.	D	D1	D2	D3	L	L1	L2	L5	Receiving hole H11	Shearing force double shear max.kN
K0364.2305010	25	5	5,5	14	10	6	26,5	16	5	15
K0364.2305015	25	5	5,5	14	15	6	26,5	21	5	15
K0364.2305020	25	5	5,5	14	20	6	26,5	26	5	15
K0364.2305025	25	5	5,5	14	25	6	26,5	31	5	15
K0364.2305030	25	5	5,5	14	30	6	26,5	36	5	15
K0364.2306010	25	6	6,85	14	10	7	26,5	17	6	22
K0364.2306015	25	6	6,85	14	15	7	26,5	22	6	22
K0364.2306020	25	6	6,85	14	20	7	26,5	27	6	22
K0364.2306025	25	6	6,85	14	25	7	26,5	32	6	22
K0364.2306030	25	6	6,85	14	30	7	26,5	37	6	22
K0364.2306035	25	6	6,85	14	35	7	26,5	42	6	22
K0364.2306040	25	6	6,85	14	40	7	26,5	47	6	22
K0364.2306045	25	6	6,85	14	45	7	26,5	52	6	22
K0364.2306050	25	6	6,85	14	50	7	26,5	57	6	22
K0364.2308020	25	8	9,5	14	20	8	26,5	28	8	38
K0364.2308025	25	8	9,5	14	25	8	26,5	33	8	38
K0364.2308030	25	8	9,5	14	30	8	26,5	38	8	38
K0364.2308035	25	8	9,5	14	35	8	26,5	43	8	38
K0364.2308040	25	8	9,5	14	40	8	26,5	48	8	38
K0364.2308045	25	8	9,5	14	45	8	26,5	53	8	38
K0364.2308050	25	8	9,5	14	50	8	26,5	58	8	38
K0364.3110020	33	10	12	19	20	9	34,6	29	10	60
K0364.3110025	33	10	12	19	25	9	34,6	34	10	60
K0364.3110030	33	10	12	19	30	9	34,6	39	10	60
K0364.3110035	33	10	12	19	35	9	34,6	44	10	60
K0364.3110040	33	10	12	19	40	9	34,6	49	10	60
K0364.3110045	33	10	12	19	45	9	34,6	54	10	60
K0364.3110050	33	10	12	19	50	9	34,6	59	10	60
K0364.3110060	33	10	12	19	60	9	34,6	69	10	60
K0364.3112025	33	12	14,5	19	25	10	34,6	35	12	86
K0364.3112030	33	12	14,5	19	30	10	34,6	40	12	86
K0364.3112035	33	12	14,5	19	35	10	34,6	45	12	86
K0364.3112040	33	12	14,5	19	40	10	34,6	50	12	86
K0364.3112045	33	12	14,5	19	45	10	34,6	55	12	86
K0364.3112050	33	12	14,5	19	50	10	34,6	60	12	86
K0364.3112060	33	12	14,5	19	60	10	34,6	70	12	86
K0364.3112070	33	12	14,5	19	70	10	34,6	80	12	86
K0364.3112080	33	12	14,5	19	80	10	34,6	90	12	86
K0364.3116030	33	16	19	20	30	13,3	34,6	43,3	16	153
K0364.3116035	33	16	19	20	35	13,3	34,6	48,3	16	153
K0364.3116040	33	16	19	20	40	13,3	34,6	53,3	16	153
K0364.3116045	33	16	19	20	45	13,3	34,6	58,3	16	153
K0364.3116050	33	16	19	20	50	13,3	34,6	63,3	16	153
K0364.3116060	33	16	19	20	60	13,3	34,6	73,3	16	153
K0364.3116070	33	16	19	20	70	13,3	34,6	83,3	16	153
K0364.3116080	33	16	19	20	80	13,3	34,6	93,3	16	153