

Lateral spring plungers with seal

Item description/product images



Description

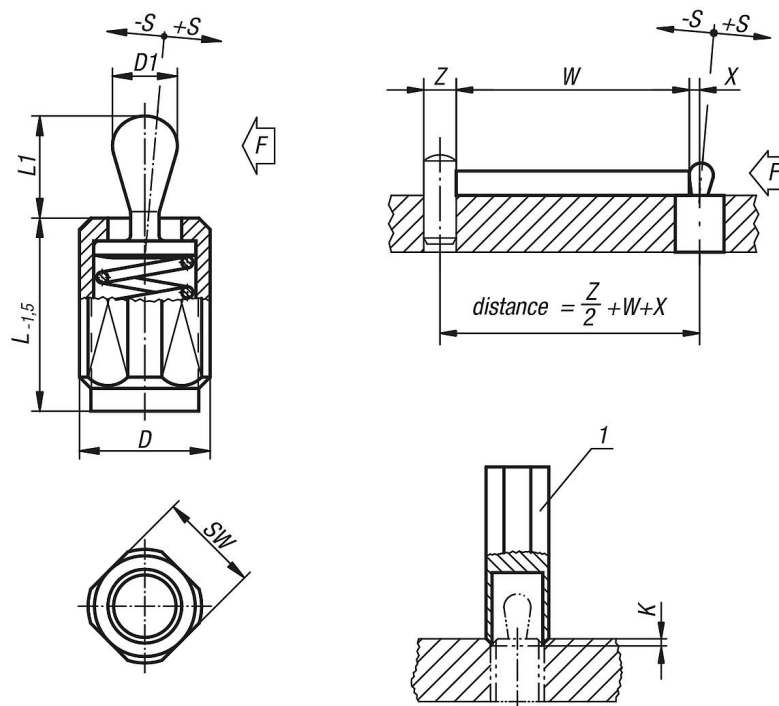
Material:
Steel.

Version:
Thrust pin steel, hardened and electro zinc-plated.
Sleeve blue electro zinc-plated.

Note:
Lateral spring plungers with threaded sleeve can be individually adjusted to suit the part being held. The threaded sleeve is also suitable for screwing into thin sheet metal as it can be fastened with one or two nuts. W and Z are customer specified.

Drawing reference:
1) assembly tool

Drawings



Lateral spring plungers with seal

Overview of items

Order No.	D	D1	K	L	L1	±S	SW	X	F ca.N	Order No. assembly tool
K0371.3020X12	M12	5	2x60°	11,5	6	0,8	10	1,6	20	K0371.06
K0371.3020X20	M12	5	2x60°	19	6	0,8	10	1,6	20	K0371.06
K0371.3020X27	M12	5	2x60°	26,5	6	0,8	10	1,6	20	K0371.06
K0371.3050X12	M12	5	2x60°	11,5	6	0,8	10	1,6	50	K0371.06
K0371.3050X20	M12	5	2x60°	19	6	0,8	10	1,6	50	K0371.06
K0371.3050X27	M12	5	2x60°	26,5	6	0,8	10	1,6	50	K0371.06
K0371.3100X12	M12	5	2x60°	11,5	6	0,8	10	1,6	100	K0371.06
K0371.3100X20	M12	5	2x60°	19	6	0,8	10	1,6	100	K0371.06
K0371.3100X27	M12	5	2x60°	26,5	6	0,8	10	1,6	100	K0371.06
K0371.3040X12	M12	6	2x60°	11,5	10	1	10	1,8	40	K0371.06
K0371.3040X20	M12	6	2x60°	19	10	1	10	1,8	40	K0371.06
K0371.3040X27	M12	6	2x60°	26,5	10	1	10	1,8	40	K0371.06
K0371.3075X12	M12	6	2x60°	11,5	10	1	10	1,8	75	K0371.06
K0371.3075X20	M12	6	2x60°	19	10	1	10	1,8	75	K0371.06
K0371.3075X27	M12	6	2x60°	26,5	10	1	10	1,8	75	K0371.06
K0371.3150X12	M12	6	2x60°	11,5	10	1	10	1,8	100	K0371.06
K0371.3150X20	M12	6	2x60°	19	10	1	10	1,8	100	K0371.06
K0371.3150X27	M12	6	2x60°	26,5	10	1	10	1,8	100	K0371.06
K0371.3100X16	M18X1,5	10	2,5x60°	18	16	1,6	16	3,2	100	K0371.10
K0371.3100X29	M18X1,5	10	2,5x60°	31,5	16	1,6	16	3,2	100	K0371.10
K0371.3100X43	M18X1,5	10	2,5x60°	45	16	1,6	16	3,2	100	K0371.10
K0371.3200X16	M18X1,5	10	2,5x60°	18	16	1,6	16	3,2	150	K0371.10
K0371.3200X29	M18X1,5	10	2,5x60°	31,5	16	1,6	16	3,2	150	K0371.10
K0371.3200X43	M18X1,5	10	2,5x60°	45	16	1,6	16	3,2	150	K0371.10
K0371.3300X16	M18X1,5	10	2,5x60°	18	16	1,6	16	3,2	200	K0371.10
K0371.3300X29	M18X1,5	10	2,5x60°	31,5	16	1,6	16	3,2	200	K0371.10
K0371.3300X43	M18X1,5	10	2,5x60°	45	16	1,6	16	3,2	200	K0371.10