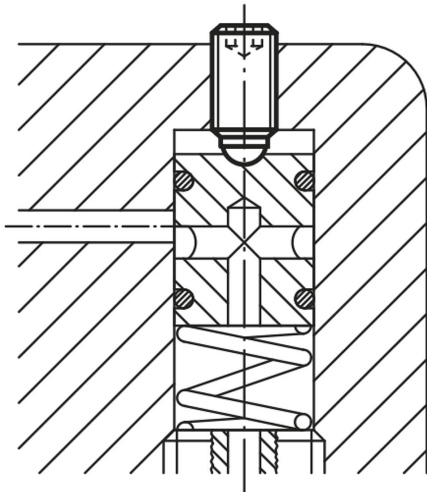


## Ball-end thrust screws without head with full ball

### Item description/product images



### Description

#### Material:

Screw, high-carbon steel, grade 10.9

Ball, ball-bearing steel or POM.

#### Version:

Screw black.

Ball hardened bright or POM.

#### Note:

Ball-end thrust screws with full ball are used when a clean, polished contact surface is required.

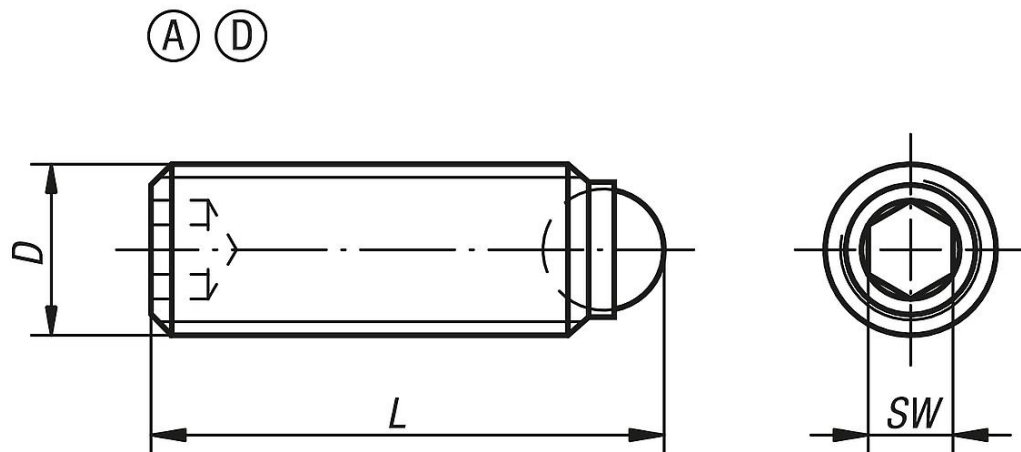
Longer versions have been specially designed to be glued in, allowing mechanical connecting elements with external thread to be made cost-effectively for small and medium-sized series.

#### Drawing reference:

Form A: steel ball

Form D: POM ball

### Drawings



### Overview of items

#### Ball-end thrust screws without head with full ball

Order No.	Form	Component material	D	L	Ball-Ø	SW	Load rating max. kN (static load only)
K0383.1046	A	ball-bearing steel	M4	6	2,5	2	3,5
K0383.1048	A	ball-bearing steel	M4	8	2,5	2	3,5
K0383.10410	A	ball-bearing steel	M4	10	2,5	2	3,5
K0383.10412	A	ball-bearing steel	M4	12	2,5	2	3,5

## Ball-end thrust screws without head with full ball

### Overview of items

Order No.	Form	Component material	D	L	Ball-Ø	SW	Load rating max. kN (static load only)
K0383.10416	A	ball-bearing steel	M4	16	2,5	2	3,5
K0383.1058	A	ball-bearing steel	M5	8	3	2,5	4,5
K0383.10510	A	ball-bearing steel	M5	10	3	2,5	4,5
K0383.10512	A	ball-bearing steel	M5	12	3	2,5	4,5
K0383.10516	A	ball-bearing steel	M5	16	3	2,5	4,5
K0383.10520	A	ball-bearing steel	M5	20	3	2,5	4,5
K0383.10525	A	ball-bearing steel	M5	25	3	2,5	4,5
K0383.10610	A	ball-bearing steel	M6	10,8	4	3	9
K0383.10612	A	ball-bearing steel	M6	12,8	4	3	9
K0383.10616	A	ball-bearing steel	M6	16,8	4	3	9
K0383.10620	A	ball-bearing steel	M6	20,8	4	3	9
K0383.10625	A	ball-bearing steel	M6	25,8	4	3	9
K0383.10650	A	ball-bearing steel	M6	50,8	4	3	9
K0383.10660	A	ball-bearing steel	M6	60,8	4	3	9
K0383.10680	A	ball-bearing steel	M6	80,8	4	3	9
K0383.10810	A	ball-bearing steel	M8	11,2	5,5	4	10
K0383.10812	A	ball-bearing steel	M8	13,2	5,5	4	10
K0383.10816	A	ball-bearing steel	M8	17,2	5,5	4	15
K0383.10820	A	ball-bearing steel	M8	21,2	5,5	4	15
K0383.10825	A	ball-bearing steel	M8	26,2	5,5	4	15
K0383.10830	A	ball-bearing steel	M8	31,2	5,5	4	15
K0383.10850	A	ball-bearing steel	M8	51,2	5,5	4	15
K0383.10860	A	ball-bearing steel	M8	61,2	5,5	4	15
K0383.10880	A	ball-bearing steel	M8	81,2	5,5	4	15
K0383.11012	A	ball-bearing steel	M10	13,7	7	5	20
K0383.11016	A	ball-bearing steel	M10	17,7	7	5	20
K0383.11020	A	ball-bearing steel	M10	21,7	7	5	20
K0383.11025	A	ball-bearing steel	M10	26,7	7	5	20
K0383.11035	A	ball-bearing steel	M10	36,7	7	5	20
K0383.11216	A	ball-bearing steel	M12	18	8,5	6	30
K0383.11220	A	ball-bearing steel	M12	22	8,5	6	30
K0383.11225	A	ball-bearing steel	M12	27	8,5	6	30
K0383.11230	A	ball-bearing steel	M12	32	8,5	6	30
K0383.11232	A	ball-bearing steel	M12	34	8,5	6	30
K0383.11240	A	ball-bearing steel	M12	42	8,5	6	30
K0383.11620	A	ball-bearing steel	M16	23,3	12	8	60
K0383.11625	A	ball-bearing steel	M16	28,3	12	8	60
K0383.11635	A	ball-bearing steel	M16	38,3	12	8	60
K0383.11650	A	ball-bearing steel	M16	53,3	12	8	60
K0383.12030	A	ball-bearing steel	M20	34,2	15	10	90
K0383.12040	A	ball-bearing steel	M20	44,2	15	10	90
K0383.12060	A	ball-bearing steel	M20	64,2	15	10	90
K0383.12435	A	ball-bearing steel	M24	39,7	18	12	120
K0383.12450	A	ball-bearing steel	M24	54,7	18	12	120
K0383.12480	A	ball-bearing steel	M24	84,7	18	12	120
K0383.3046	D	polyacetal	M4	6	2,5	2	0,3
K0383.3048	D	polyacetal	M4	8	2,5	2	0,3
K0383.30410	D	polyacetal	M4	10	2,5	2	0,3
K0383.30412	D	polyacetal	M4	12	2,5	2	0,3
K0383.30416	D	polyacetal	M4	16	2,5	2	0,3
K0383.3058	D	polyacetal	M5	8	3	2,5	0,5
K0383.30510	D	polyacetal	M5	10	3	2,5	0,5
K0383.30512	D	polyacetal	M5	12	3	2,5	0,5
K0383.30516	D	polyacetal	M5	16	3	2,5	0,5
K0383.30520	D	polyacetal	M5	20	3	2,5	0,5
K0383.30525	D	polyacetal	M5	25	3	2,5	0,5
K0383.30610	D	polyacetal	M6	10,8	4	3	0,9
K0383.30612	D	polyacetal	M6	12,8	4	3	0,9
K0383.30616	D	polyacetal	M6	16,8	4	3	0,9
K0383.30620	D	polyacetal	M6	20,8	4	3	0,9
K0383.30625	D	polyacetal	M6	25,8	4	3	0,9

## Ball-end thrust screws without head with full ball

### Overview of items

Order No.	Form	Component material	D	L	Ball-Ø	SW	Load rating max. kN (static load only)
K0383.30810	D	polyacetal	M8	11,2	5,5	4	1,5
K0383.30812	D	polyacetal	M8	13,2	5,5	4	1,5
K0383.30816	D	polyacetal	M8	17,2	5,5	4	1,5
K0383.30820	D	polyacetal	M8	21,2	5,5	4	1,5
K0383.30825	D	polyacetal	M8	26,2	5,5	4	1,5
K0383.30830	D	polyacetal	M8	31,2	5,5	4	1,5
K0383.31012	D	polyacetal	M10	13,7	7	5	2
K0383.31016	D	polyacetal	M10	17,7	7	5	2
K0383.31020	D	polyacetal	M10	21,7	7	5	2
K0383.31025	D	polyacetal	M10	26,7	7	5	2
K0383.31035	D	polyacetal	M10	36,7	7	5	2
K0383.31216	D	polyacetal	M12	18	8,5	6	3
K0383.31220	D	polyacetal	M12	22	8,5	6	3
K0383.31230	D	polyacetal	M12	32	8,5	6	3
K0383.31240	D	polyacetal	M12	42	8,5	6	3