

Swivel feet plates, plastic, Form A

Item description/product images



Description

Material:

Plates, thermoplastic, fibreglass reinforced.

Version:

Black.

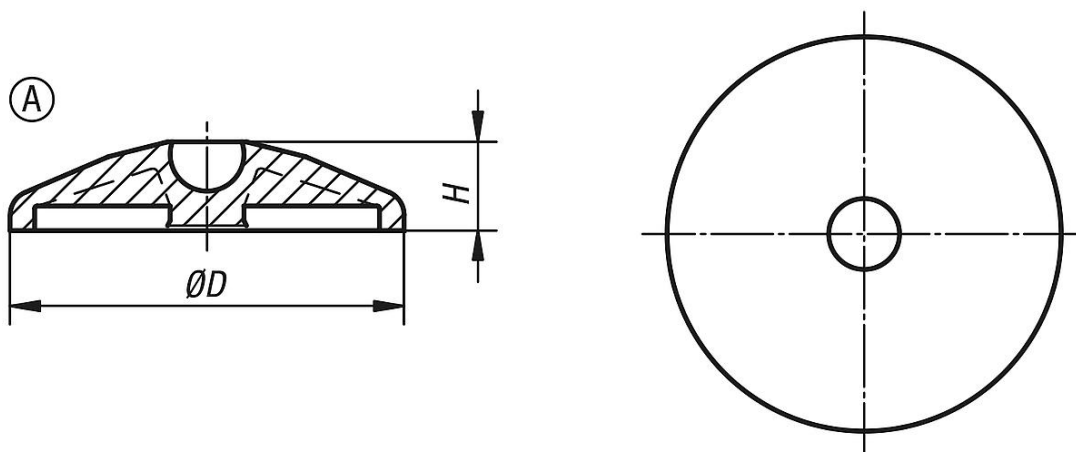
Note:

Swivel feet consist of a plate and a threaded spindle or ball joint. Any plate can be combined with any threaded spindle or ball joint.

For matching threaded spindles see K0421.

For matching ball joints see K0422.

Drawings



Overview of items

Swivel feet plates, plastic

Order No.	Form	Size	D	H	Load rating max. kN
K0415.1030	A	30	29	18	5
K0415.1040	A	40	39	18	9
K0415.1045	A	45	44	18	9
K0415.1050	A	50	49	18	9
K0415.1060	A	60	59	18	9
K0415.1080	A	80	79	18	9
K0415.1100	A	100	99	18	9