

Knurled knobs antistatic with internal thread

Item description/product images



Description

Material:

Thermoplastic, graphite black.
Bush steel 5.8.

Application:

Bush blue passivated

Safety:

These ESD products can also be used for devices, components and protection systems in areas with high risk of explosion.

Use of these ESD products prevents the occurrence of electrostatic spark discharges, eliminating the potential ignition of gases and dusts which could lead to explosions in enclosed spaces.

Manufacturers and operators must use and conform to ATEX directives for the protection of persons working in areas with high risk of explosion.

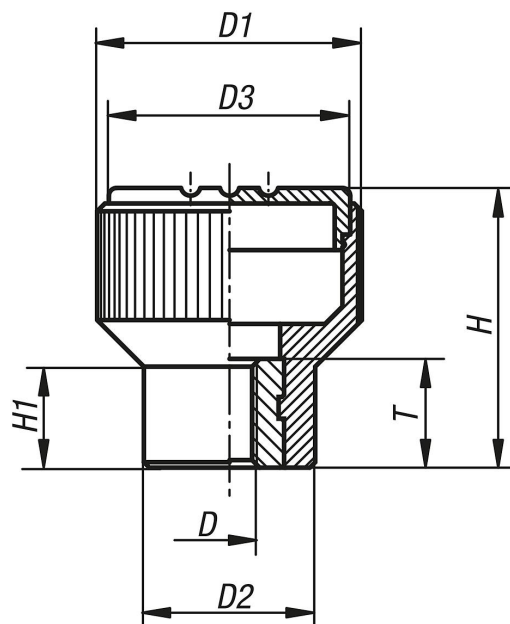
These ESD products are certified by TÜV-Süd in relation to their electrical discharge capability.

Target groups:

Device manufacturers required to conform to ATEX product directive 2014/34/EU.

Operators required to conform to ATEX worker protection directive 1999/92/EC.

Drawings



Overview of items

Order No.	D	D1	D2	D3	H	H1	T
K0247.1110624	M6	21	14	19	22	8	10

Knurled knobs antistatic with internal thread

Overview of items
