

Levelling feet plates, plastic, Form A

Item description/product images



Description

Material:

Plates, thermoplastic, glass-fibre reinforced.

Version:

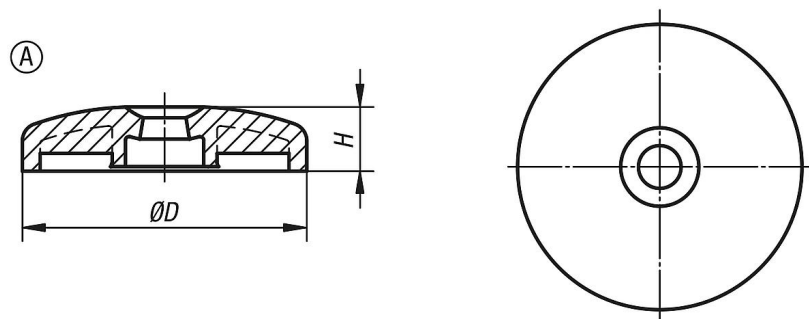
Black.

Note:

Levelling feet consist of a plate and a threaded spindle. Any plate can be combined with any threaded spindle.

For matching threaded spindles, see K0427.

Drawings



Overview of items

Levelling feet plates plastic

| Order No. | Form | D | H | Load rating max. kN |
|------------|------|-----|----|------------------------|
| K0423.1060 | A | 60 | 18 | 12 |
| K0423.1080 | A | 80 | 18 | 12 |
| K0423.1100 | A | 100 | 18 | 12 |