

Levelling feet plates extended die-cast zinc, Form C

Item description/product images



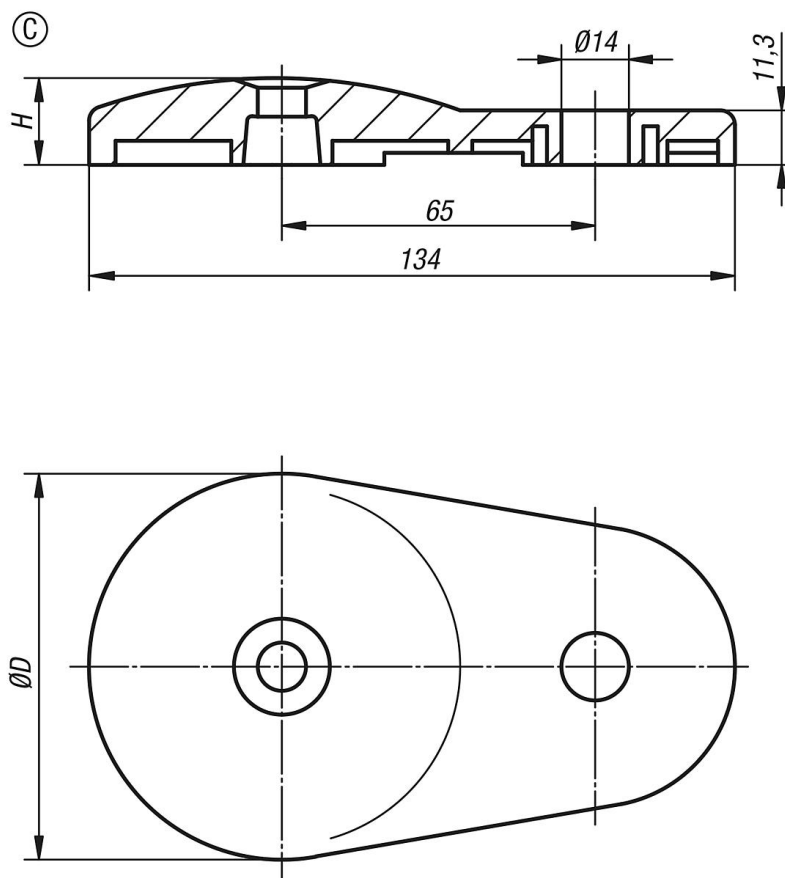
Description

Material:
Die-cast zinc plates

Version:
Plate black powder-coated.

Note:
Leveling feet consist of a plate and a threaded spindle. Any plate can be combined with any threaded spindle. For matching threaded spindles see K0427.

Drawings



Overview of items

Levelling feet plates extended die-cast zinc

Order No.	Form	D	H	Load rating max. kN
K0426.30801	C	80	18	35

