

## Oil level sight glasses domed

### Item description/product images



### Description

#### Material:

Housing in thermoplastic polyamide.

#### Version:

Housing, transparent, high mechanical stability, non-ageing, temperature resistant with oil up to 100 °C, with water up to 70 °C.

Resistant to solvents but not alcohol.

Flat seal, asbestos-free.

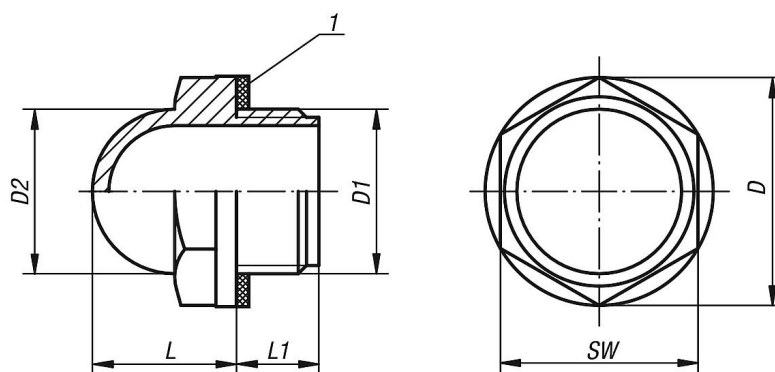
#### On request:

Rubber gasket (NBR).

#### Drawing reference:

1) flat seal

### Drawings



### Overview of items

#### Oil level sight glasses, domed

Order No.	D	D1	D2	L	L1	SW	Tightening torque max. Nm
K0447.22038	22	G3/8	15	14	10	19	8
K0447.28012	28	G1/2	20	17	10	24	12
K0447.35034	35	G3/4	25	20	10	30	16
K0447.42100	42	G1	31	24	10,5	36	20