

## Screw plugs Form A, with fill symbol

### Item description/product images



### Description

#### Material:

Thermoplastic polyamide 66;  
O-ring in rubber (NBR)

#### Version:

Black.

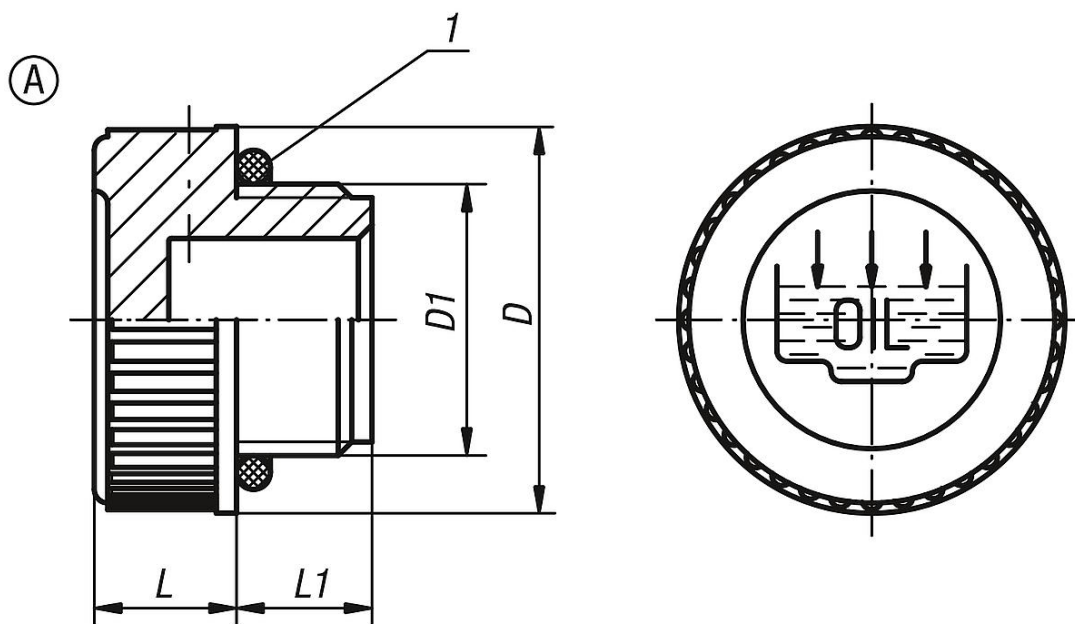
#### Temperature range:

Temperature resistant with oil up to 100°C.

#### Drawing reference:

1) O-ring

### Drawings



### Overview of items

Order No.	Form	D	D1	L	L1
K0455.120014	A	20	G1/4	9	9
K0455.120038	A	20,5	G3/8	9	10
K0455.128012	A	28	G1/2	10,5	10,5
K0455.131034	A	31	G3/4	12	11
K0455.139100	A	39	G1	12	12
K0455.149114	A	49	G1 1/4	13	13,5
K0455.155112	A	55	G1 1/2	14,7	14,5
K0455.168200	A	68,5	G2	15	16
K0455.1201415	A	20	M14X1,5	9	9
K0455.1201615	A	20	M16X1,5	9	10
K0455.1281815	A	28	M18X1,5	10,5	10
K0455.1282015	A	28	M20X1,5	10,5	10
K0455.1282215	A	28	M22X1,5	10,5	10

