

## Press-in plugs with dipstick

### Item description/product images

---



### Description

**Material:**

Housing and cap thermoplastic polyamide 66.

Air filter polyurethane (PU foam).

Dipstick zinc.

O-ring NBR, Shore 70.

**Version:**

Housing black.

Cap red.

Filter mesh 50 µm.

Dipstick phosphated.

**Temperature range:**

Temperature resistant with oil up to 100°C.

**On request:**

Min-Max markings.

**Drawing reference:**

Form A: without vent

Form B: with vent

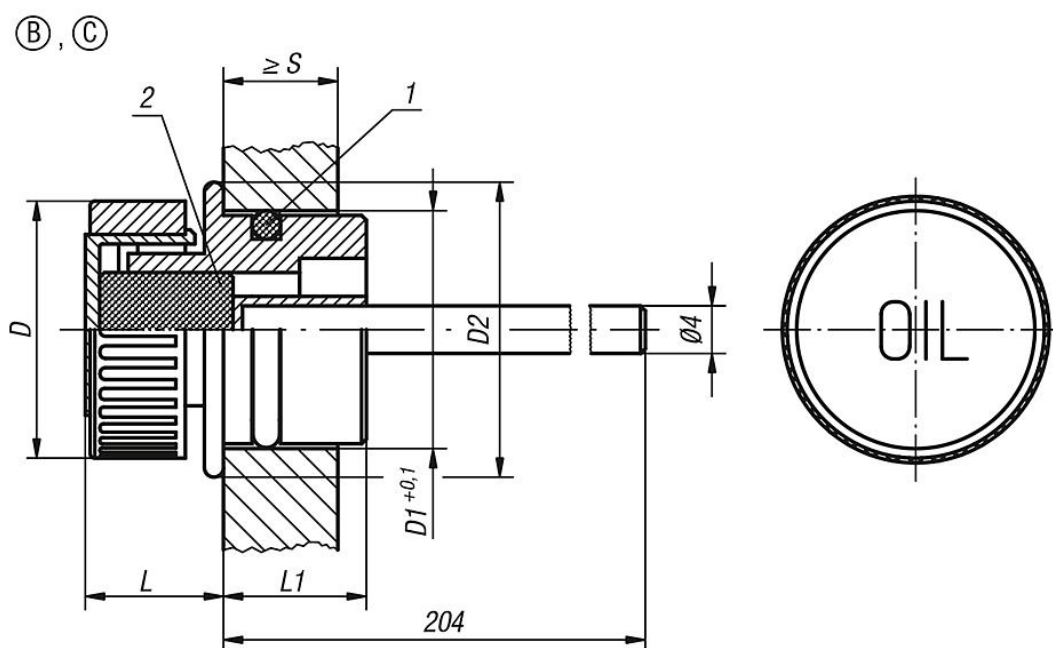
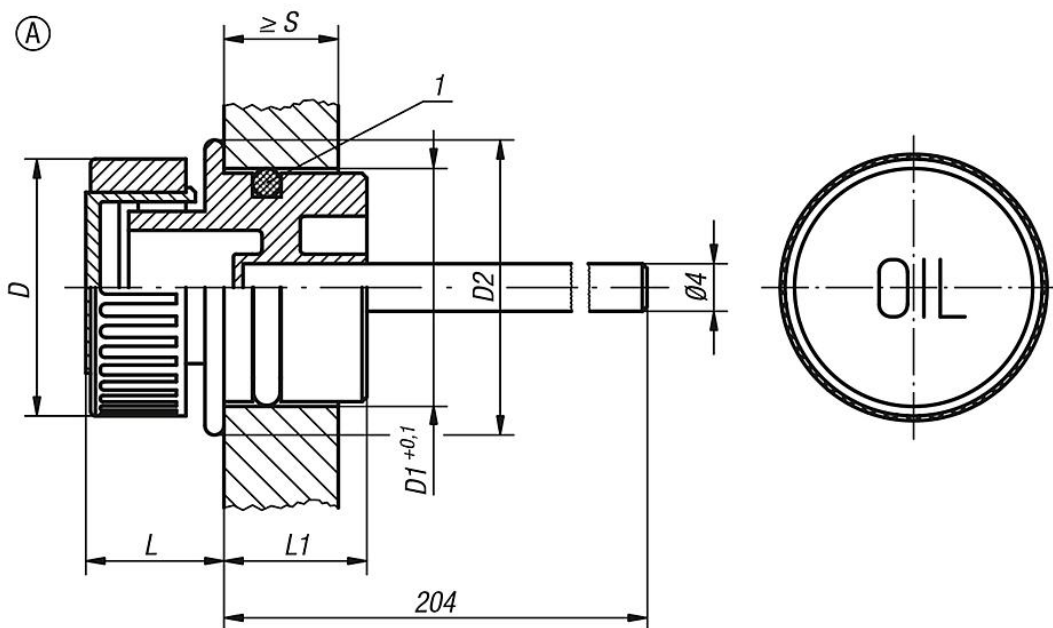
Form C: with vent and air filter

1) O-ring

2) air filter Form C only

# Press-in plugs with dipstick

## Drawings



## Overview of items

### Press-in plugs with dipstick

Order No. Form A	Order No. Form B	Order No. Form C	D	D1	D2	L	L1	S min.
K0462.13018	K0462.23018	K0462.33018	30	18	23	14	14	8

