

Vent screw with dipstick Form A, without air filter

Item description/product images



Description

Material:

Housing, cap in thermoplastic polyamide 66.

Zinc dipstick.

O-ring in rubber (NBR).

Version:

Housing black.

Cap red.

Dipstick phosphated.

Note:

The removable cap allows easy cleaning of the air filter.

Form A: without air filter

Form B: with air filter

Temperature range:

Temperature resistant with oil up to 100°C.

On request:

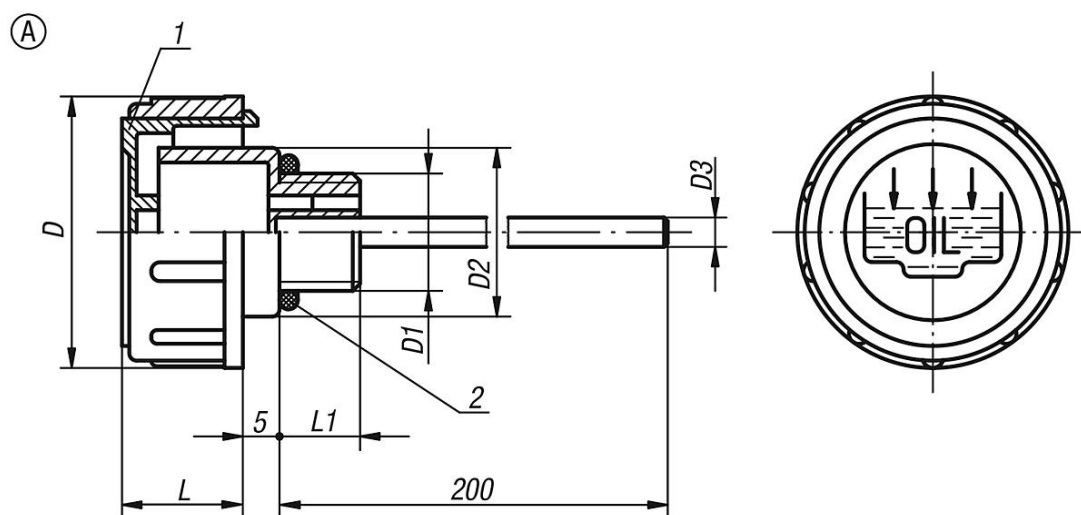
Min-Max markings.

Drawing reference:

1) cap

2) O-ring

Drawings



Overview of items

Order No.	Form	D	D1	D2	D3	L	L1
K0465.136038	A	36	G3/8	23	4	17	11
K0465.141012	A	41	G1/2	28	4	18	12
K0465.147034	A	47	G3/4	33	5	17	12
K0465.152100	A	52	G1	38	5	20	12
K0465.163114	A	63	G1 1/4	49	5	23	13

Vent screw with dipstick Form A, without air filter**Overview of items**

Order No.	Form	D	D1	D2	D3	L	L1
K0465.163112	A	63	G1 1/2	55	5	23	13,5
K0465.1361615	A	36	M16x1,5	23	4	17	11
K0465.1411815	A	41	M18x1,5	28	4	17,5	12
K0465.1412015	A	41	M20x1,5	28	4	17,5	12
K0465.1412215	A	41	M22x1,5	28	4	17,5	12