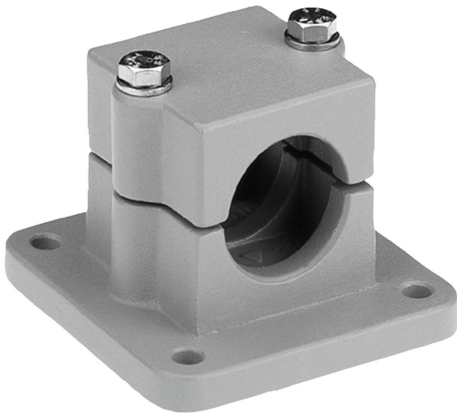


Tube clamps flange aluminium

Item description/product images



Description

Material:

Cast aluminium.
Screws and nuts steel.

Version:

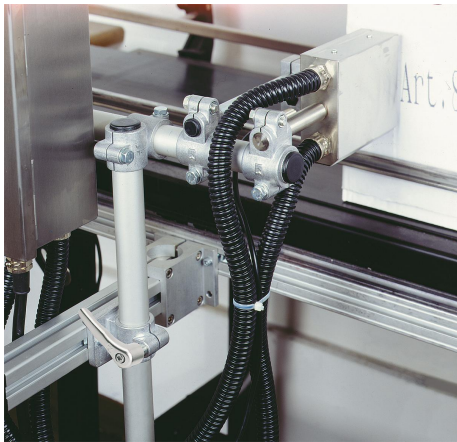
Vibratory ground.
Screws and nuts electro zinc-plated.

On request:

Clamping levers for tightening and other diameters.

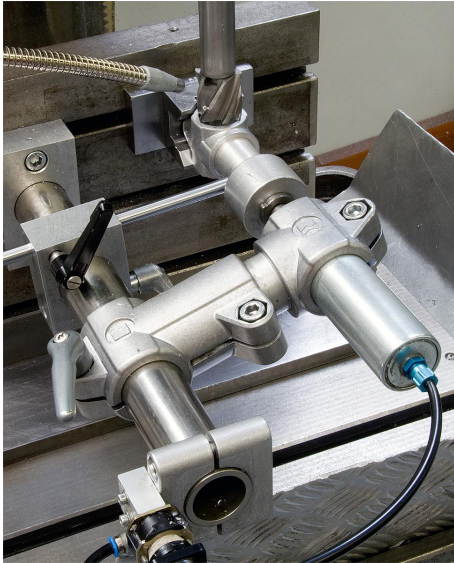
Accessory:

- Round and square tubes K0493

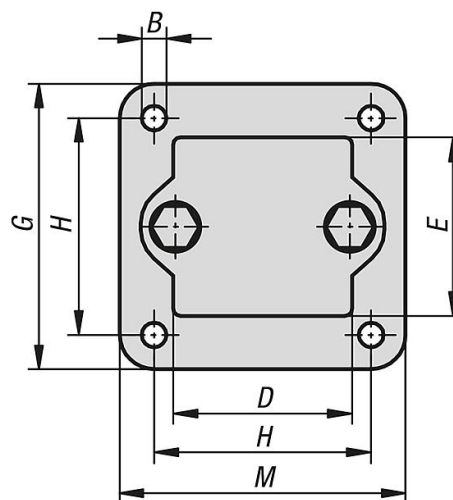
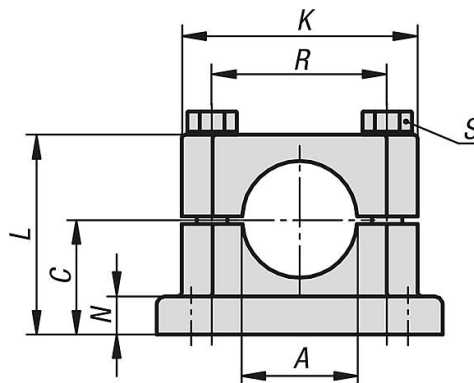


Tube clamps flange aluminium

Item description/product images



Drawings



Overview of items

Tube clamps flange aluminium

Overview of items

Tube clamps, flange, aluminium

Order No.	A	B	C	D	E	G	H	K	L	M	N	R	S
K0479.5220	20,2	7	30	45	45	75	57	62	52,5	75	10	46	M8x50
K0479.5225	25,2	7	30	45	45	75	57	62	52,5	75	10	46	M8x50
K0479.5230	30,2	7	30	45	45	75	57	62	52,5	75	10	46	M8x50
K0479.5240	40,2	9	40	60	60	100	76	75	70	100	10	57	M8x70