

T-nuts

Item description/product images



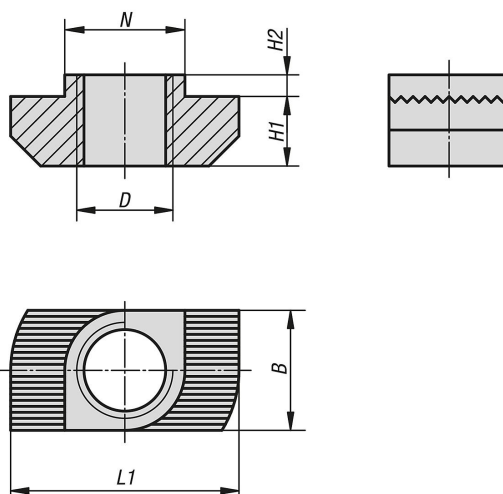
Description

Material:
Steel.

Version:
Electro zinc-plated.

Note:
Universal fastening element. The T-nut is twisted into the profile slot and so can be subsequently inserted into existing systems. The serrations break through the anodised film and creates a secure, electrical conductive connection.

Drawings



Overview of items

T-nuts

Order No.	Type	Slot width	B	D	H1	H2	L1	N
K1028.0804015	B	8	7,7	M4	4,5	1,5	16	7,7
K1028.0805015	B	8	7,7	M5	4,5	1,5	16	7,7
K1028.0806015	B	8	7,7	M6	4,5	1,5	16	7,7
K1028.1004030	B	10	9,7	M4	5,8	3	19	9,7
K1028.1005017	-	10	9,7	M5	5,8	1,5	19	9,7
K1028.1005030	B	10	9,7	M5	5,8	3	19	9,7

T-nuts

Overview of items

Order No.	Type	Slot width	B	D	H1	H2	L1	N
K1028.1006017	-	10	9,7	M6	5,8	1,5	19	9,7
K1028.1006030	B	10	9,7	M6	5,8	3	19	9,7
K1028.1008017	-	10	9,7	M8	5,8	1,5	19	9,7
K1028.1008030	B	10	9,7	M8	5,8	3	19	9,7