

## Stop set

### Item description/product images



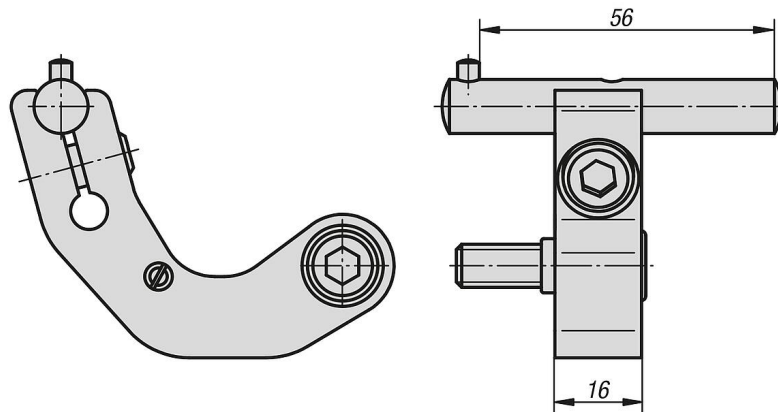
### Description

**Material:**  
Steel.

**Version:**  
Swivel arm, black oxidised.  
Stop pin bright.

**Note:**  
Stop set for direct fastening to fixed jaws. The stop can be swivelled aside for machining of the workpiece without losing the stop dimension. Supplied complete with attaching parts.

### Drawings



### Overview of items

#### Stop set

Order No.	Suitable for
K0948.100	All 3-axis and 5-axis clamping systems