

Rod ends with plain bearing external thread, DIN ISO 12240-4

Item description/product images



Description

Material:

Housing size (D) 5-12 turned steel.

From size (D) 16 forged steel.

Ball joint ball bearing steel, hardened, ground and polished.

Bearing shell steel with PTFE weave glued in.

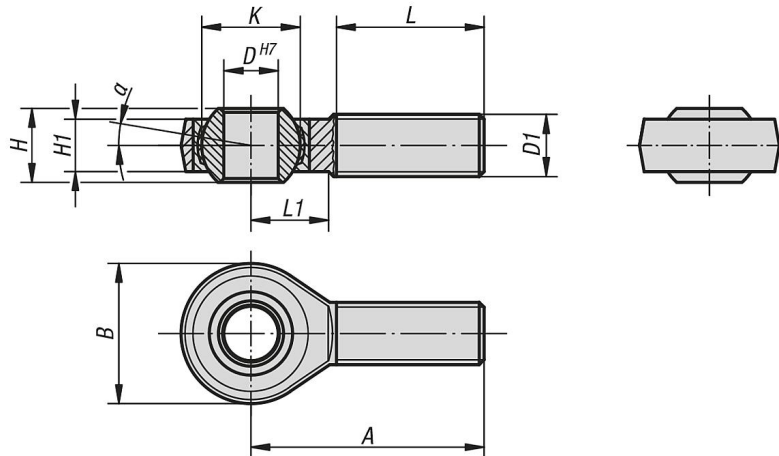
Version:

Electro zinc-plated.

Note:

The rod end bearing is maintenance-free. The connection dimensions comply with DIN 648 series KA.

Drawings



Overview of items

Rod ends with plain bearing, external thread, DIN ISO 12240-4

Order No.	Version	D	D1	A	B	H	H1	K	L	L1	α	Dynamic base loads kN	Static base loads kN
K0718.05	RH thread	5	M5	33	18	8	6	11,11	20	9	13°	7,5	4,3
K0718.06	RH thread	6	M6	36	20	9	6,75	12,7	22	12	13°	9,3	6
K0718.08	RH thread	8	M8	42	24	12	9	15,87	25	15	13°	16,7	11
K0718.10	RH thread	10	M10	48	28	14	10,5	19,05	29	15	13°	23,4	17,4
K0718.12	RH thread	12	M12	54	32	16	12	22,22	33	19	13°	32	23,5
K0718.16	RH thread	16	M16	66	42	21	15	28,57	40	22	15°	52,7	32
K0718.20	RH thread	20	M20x1,5	78	50	25	18	34,92	47	28	15°	78,1	43,8
K0718.22	RH thread	22	M22x1,5	84	54	28	20	38,1	51	26	15°	97,2	52,6
K0718.051	LH thread	5	M5	33	18	8	6	11,11	20	9	13°	7,5	4,3
K0718.061	LH thread	6	M6	36	20	9	6,75	12,7	22	12	13°	9,3	6
K0718.081	LH thread	8	M8	42	24	12	9	15,87	25	15	13°	16,7	11
K0718.101	LH thread	10	M10	48	28	14	10,5	19,05	29	15	13°	23,4	17,4
K0718.121	LH thread	12	M12	54	32	16	12	22,22	33	19	13°	32	23,5
K0718.161	LH thread	16	M16	66	42	21	15	28,57	40	22	15°	52,7	32
K0718.201	LH thread	20	M20x1,5	78	50	25	18	34,92	47	28	15°	78,1	43,8
K0718.221	LH thread	22	M22x1,5	84	54	28	20	38,1	51	26	15°	97,2	52,6

