

Rod ends with plain bearing internal thread, stainless steel, DIN ISO 12240-4

Item description/product images



Description

Material:

Housing forged 1.4057 stainless steel.
Ball joint 1.4034 hardened and ground.
Bearing shell 1.4571 stainless steel.

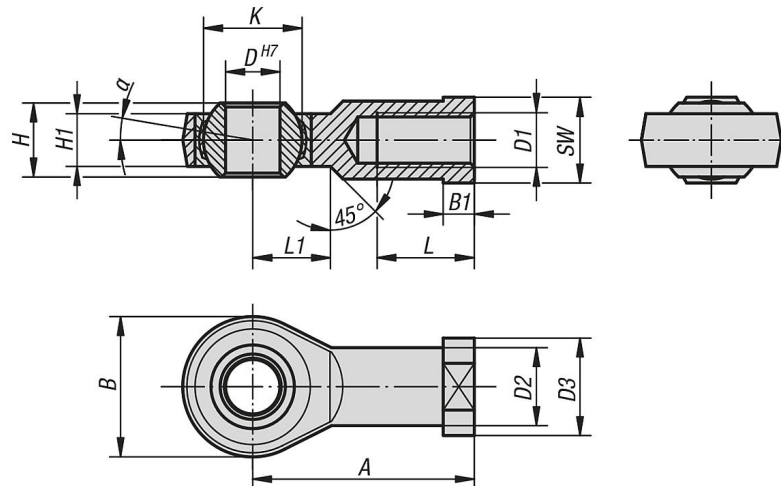
Version:

Polished.

Note:

The rod end bearing is maintenance-free.
The connection dimensions comply with DIN 648 Form Series KJ.

Drawings



Overview of items

Rod ends with plain bearing, internal thread, stainless steel, DIN ISO 12240-4

Order No.	Version	D	D1	D2	D3	A	B	B1	H	H1	K	L	L1	SW	α	Dynamic base loads kN	Static base loads kN
K0721.05	RH thread	5	M5	9	11	27	18	4	8	6	11,11	10	10	9	13°	7,5	11,8
K0721.06	RH thread	6	M6	10	13	30	20	5	9	6,75	12,7	12	10	11	13°	9,3	13,1
K0721.08	RH thread	8	M8	12,5	16	36	24	5	12	9	15,87	16	12	13	13°	16,7	20,7
K0721.10	RH thread	10	M10	15	19	43	28	6,5	14	10,5	19,05	20	15	17	13°	23,4	28,3
K0721.10125	RH thread	10	M10x1,25	15	19	43	28	6,5	14	10,5	19,05	20	15	17	13°	23,4	28,3
K0721.12	RH thread	12	M12	17,5	22	50	32	6,5	16	12	22,22	22	16	19	13°	32	34,5
K0721.12125	RH thread	12	M12x1,25	17,5	22	50	32	6,5	16	12	22,22	22	16	19	13°	32	34,5
K0721.16	RH thread	16	M16	22	27	64	42	8	21	15	28,57	28	22	22	15°	52,7	60,6
K0721.1615	RH thread	16	M16x1,5	22	27	64	42	8	21	15	28,57	28	22	22	15°	52,7	60,6
K0721.20	RH thread	20	M20x1,5	27,5	34	77	50	10	25	18	34,92	33	26	32	15°	78,1	83,1
K0721.22	RH thread	22	M22x1,5	30	37	84	54	12	28	20	38,1	37	26	32	15°	97,2	99,7
K0721.051	LH thread	5	M5	9	11	27	18	4	8	6	11,11	10	10	9	13°	7,5	11,8
K0721.061	LH thread	6	M6	10	13	30	20	5	9	6,75	12,7	12	10	11	13°	9,3	13,1
K0721.081	LH thread	8	M8	12,5	16	36	24	5	12	9	15,87	16	12	13	13°	16,7	20,7
K0721.101	LH thread	10	M10	15	19	43	28	6,5	14	10,5	19,05	20	15	17	13°	23,4	28,3

Rod ends with plain bearing internal thread, stainless steel, DIN ISO 12240-4

Overview of items

Order No.	Version	D	D1	D2	D3	A	B	B1	H	H1	K	L	L1	SW	α	Dynamic base loads kN	Static base loads kN
K0721.101251	LH thread	10	M10x1,25	15	19	43	28	6,5	14	10,5	19,05	20	15	17	13°	23,4	28,3
K0721.121	LH thread	12	M12	17,5	22	50	32	6,5	16	12	22,22	22	16	19	13°	32	34,5
K0721.121251	LH thread	12	M12x1,25	17,5	22	50	32	6,5	16	12	22,22	22	16	19	13°	32	34,5
K0721.161	LH thread	16	M16	22	27	64	42	8	21	15	28,57	28	22	22	15°	52,7	60,6
K0721.16151	LH thread	16	M16x1,5	22	27	64	42	8	21	15	28,57	28	22	22	15°	52,7	60,6
K0721.201	LH thread	20	M20x1,5	27,5	34	77	50	10	25	18	34,92	33	26	32	15°	78,1	83,1
K0721.221	LH thread	22	M22x1,5	30	37	84	54	12	28	20	38,1	37	26	32	15°	97,2	99,7