

Rod ends with plain bearing external thread, narrow version, DIN ISO 12240-4

Item description/product images



Description

Material:

Housing size (D) 6-10 turned steel.

From size (D) 12 forged steel.

Ball joint ball bearing steel, hardened, ground, polished and hard chromed.

Bearing shell ball bearing steel with PTFE weave glued in.

Version:

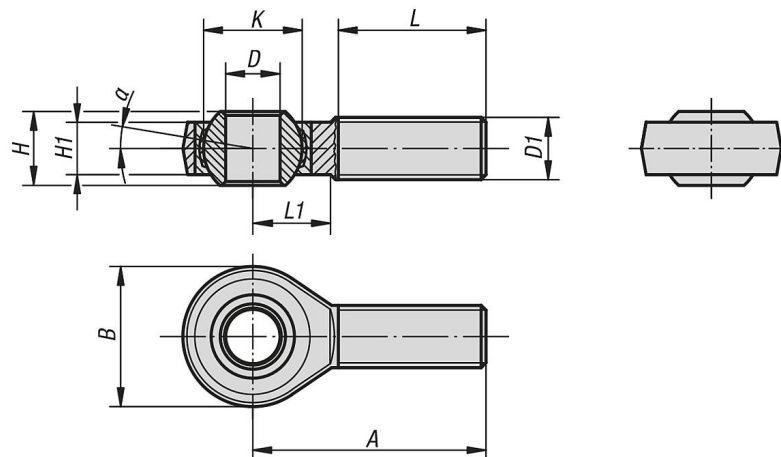
Electro zinc-plated.

Note:

The rod end bearing is maintenance-free.

The connection dimensions comply with DIN 648 Form Series E.

Drawings



Overview of items

Rod ends with plain bearing, external thread, narrow version, DIN ISO 12240-4

| Order No. | Version | D | D1 | A | B | H | H1 | K | L | L1 | α | Dynamic base loads kN | Static base loads kN |
|-----------|-----------|-----------|---------|----|----|----|-----|----|----|----|----------|--------------------------|-------------------------|
| K0722.06 | RH thread | 6 -0,008 | M6 | 36 | 20 | 6 | 4,4 | 10 | 18 | 11 | 12° | 3,6 | 8,2 |
| K0722.08 | RH thread | 8 -0,008 | M8 | 42 | 24 | 8 | 6 | 13 | 22 | 12 | 12° | 5,8 | 12,9 |
| K0722.10 | RH thread | 10 -0,008 | M10 | 48 | 28 | 9 | 7 | 16 | 26 | 15 | 12° | 8,6 | 17,6 |
| K0722.12 | RH thread | 12 -0,008 | M12 | 54 | 34 | 10 | 8 | 18 | 28 | 15 | 8° | 11,4 | 24,5 |
| K0722.16 | RH thread | 17 -0,008 | M16 | 69 | 46 | 14 | 11 | 25 | 36 | 23 | 8° | 22 | 45 |
| K0722.20 | RH thread | 20 -0,010 | M20x1,5 | 78 | 53 | 16 | 13 | 29 | 43 | 25 | 8° | 31,5 | 60 |
| K0722.061 | LH thread | 6 -0,008 | M6 | 36 | 20 | 6 | 4,4 | 10 | 18 | 11 | 12° | 3,6 | 8,2 |
| K0722.081 | LH thread | 8 -0,008 | M8 | 42 | 24 | 8 | 6 | 13 | 22 | 12 | 12° | 5,8 | 12,9 |
| K0722.101 | LH thread | 10 -0,008 | M10 | 48 | 28 | 9 | 7 | 16 | 26 | 15 | 12° | 8,6 | 17,6 |
| K0722.121 | LH thread | 12 -0,008 | M12 | 54 | 34 | 10 | 8 | 18 | 28 | 15 | 8° | 11,4 | 24,5 |
| K0722.161 | LH thread | 17 -0,008 | M16 | 69 | 46 | 14 | 11 | 25 | 36 | 23 | 8° | 22 | 45 |
| K0722.201 | LH thread | 20 -0,010 | M20x1,5 | 78 | 53 | 16 | 13 | 29 | 43 | 25 | 8° | 31,5 | 60 |

