

Mounting plates for clamping collets

Item description/product images

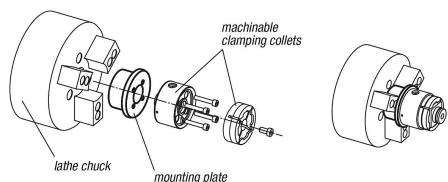


Description

Material:
Carbon steel 1.7262.

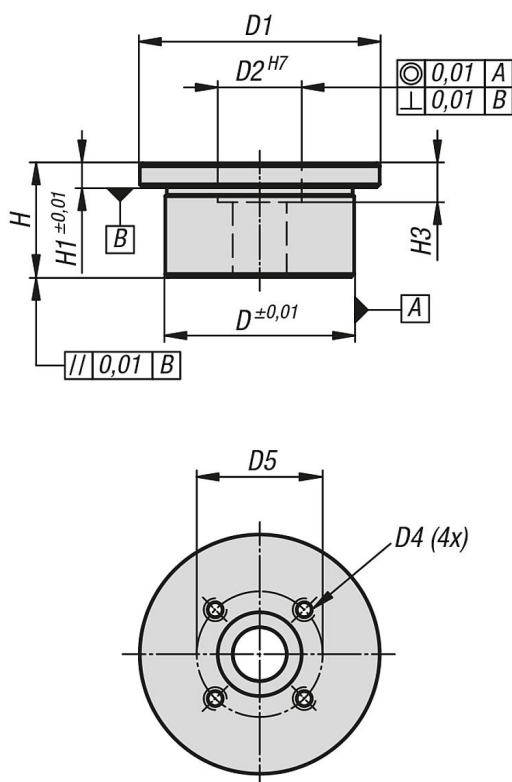
Version:
Black oxidised and case-hardened.

Note:
Suitable for clamping collets
K0934.065057 and K0934.090072.



Mounting plate for holding the collet in a lathe chuck

Drawings



Overview of items

Mounting plates for clamping collets

Order No.	D	D1	D2	D4	D5	H	H1	H3
K0934.065038	63	80	28	M6x12	42	38	8	13
K0934.090043	80	100	42	M8x16	60	43	8	15

