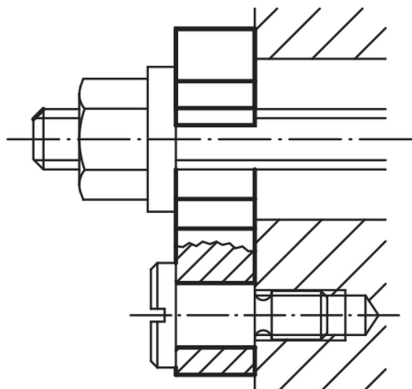


# C-washers captive DIN 6371

## Item description/product images



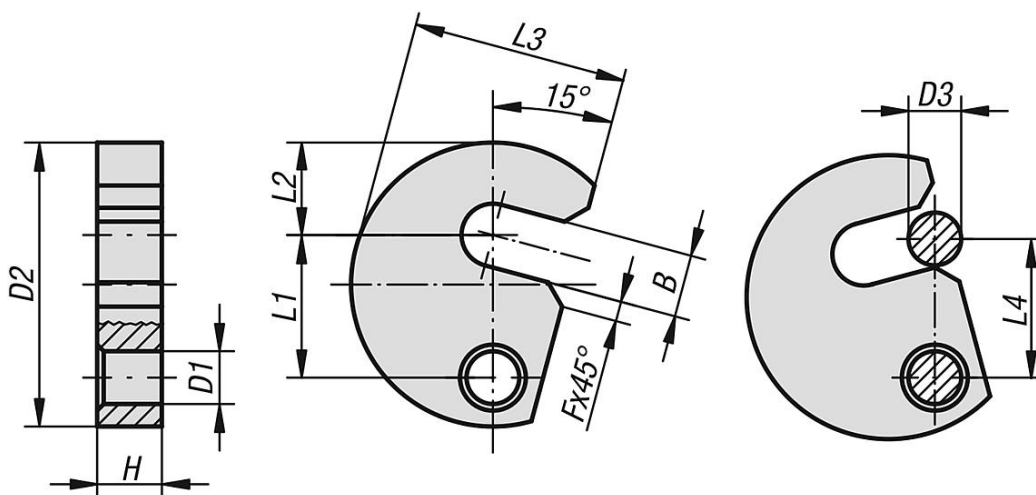
### Description

**Material:**  
Carbon steel 1.0760.

**Version:**  
Nitrided and black oxidised.

**Note:**  
K0703.14 is not standard. Suitable shoulder screws see K0704.

## Drawings



## Overview of items

### C-washers captive DIN 6371

Order No.	B	D1	D2	D3	F	H	L1	L2	L3	L4
K0703.06	7,5	9	38	6	3	9,8	19,6	11	29	19
K0703.08	9,5	9	43	8	3	9,8	21,6	14	32,5	21
K0703.10	11,5	9	48	10	3	9,8	23,6	17	36,5	23
K0703.12	13,5	11	61	12	3	11,8	29,6	22	45	29
K0703.14	15,5	11	65	14	3	11,8	31,6	23	49	31
K0703.16	17,5	11	68	16	3	11,8	33,6	25	50	33
K0703.20	21,5	11	74	20	4	11,8	36,6	28	55	36

