

Quarter-turn locks with wing grip

Item description/product images



Description

Material:

Housing and nut die-cast zinc.
Grip plastic PA6 GF 30.
Flat seal rubber.
Tongue steel.

Version:

Housing and nut trivalent passivated.
Grip black.
Tongue electro zinc-plated.

Note:

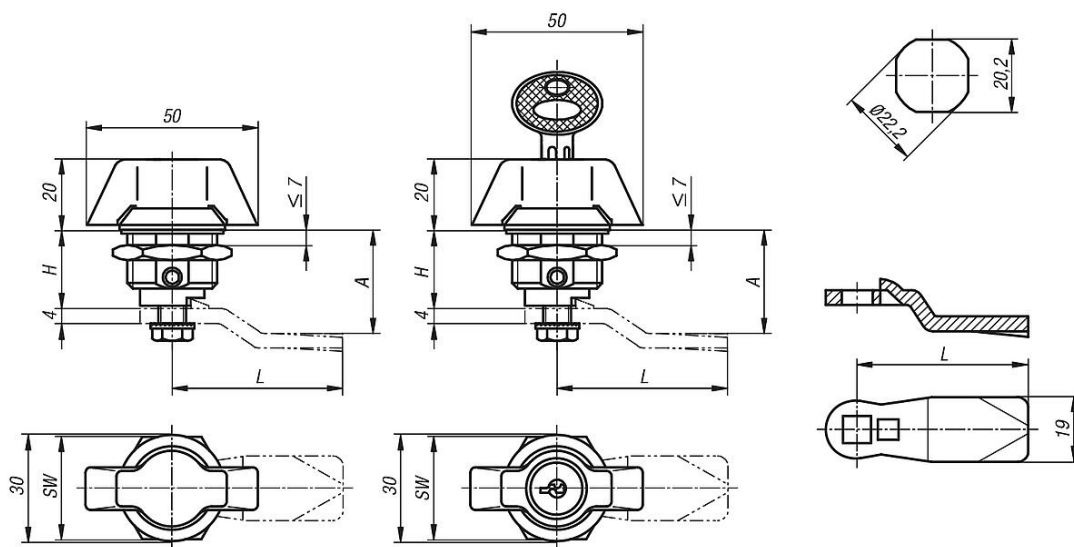
Quarter-turn lock with wing grip. Right or left deployment. The lock can be installed pre-assembled. The fastening nut is an earthing nut with teeth one side.

Water and dust tight according to IP65.

The cylinder locks are supplied with 2 keys. The key can be removed in both positions (open and closed). All cylinders are identical i.e. all locks can be opened with the same key (Euro key 5333).

Please order the desired tongue type separately. Every tongue can be combined with every housing.

Drawings



Overview of items

Quarter-turn lock with wing grip

Order No.	Actuation	H	SW
K0525.1183	grip	18,5	27
K0525.2183	lockable grip	18,5	27

Quarter-turn locks with wing grip

Overview of items

Tongue for quarter-turn locks

Order No.	A	L
K0523.135X165	16,5	35
K0523.135X185	18,5	35
K0523.135X205	20,5	35
K0523.135X225	22,5	35
K0523.135X245	24,5	35
K0523.145X045	4,5	45
K0523.145X065	6,5	45
K0523.145X085	8,5	45
K0523.145X105	10,5	45
K0523.145X125	12,5	45
K0523.145X145	14,5	45
K0523.145X165	16,5	45
K0523.145X185	18,5	45
K0523.145X205	20,5	45
K0523.145X215	21,5	45
K0523.145X225	22,5	45
K0523.145X245	24,5	45
K0523.145X265	26,5	45
K0523.145X285	28,5	45
K0523.145X305	30,5	45
K0523.145X325	32,5	45
K0523.145X345	34,5	45
K0523.145X365	36,5	45
K0523.145X385	38,5	45
K0523.145X405	40,5	45
K0523.145X425	42,5	45